



American Dynamics

A Tyco International Company

illustra 210 Outdoor IR Mini-dome

Quick Start Guide

Version: 20120521

Copyright

Under copyright laws, the contents of this manual may not be copied, photocopied, reproduced, translated or reduced to any electronic medium or machine-readable form, in whole or in part, without prior written consent of Tyco International Ltd. © 2012 and its Respective Companies. All Rights Reserved.

American Dynamics

6600 Congress Avenue

Boca Raton, FL 33487 U.S.A.

Notice of Use

- This manual is designed for administrators and users of the network camera. Please read it carefully before use. All requirements should be followed before using this camera.
- We are not responsible for any technical or typographical errors and reserve the right to change the product and manuals without notice.
- Keep this document for future reference.
- The camera is intended to be supplied from power source either 24V AC or PoE complying with LPS requirement. Only connect the camera to this power system.
- The camera must be installed on a solid mounting surface.
- Keep the camera and other accessories dry.
- We are not responsible for any damage caused by inappropriate use.
- All the installation should be performed by qualified personnel.
- For outdoor application with a power supply: If the power supply is installed outdoors, it shall be a listed rainproof/raintight Class 2/LPS power supply or a listed Class2/LPS power supply complying with UL 60950-1 Part 1 and Part 22.
- For wiring method for the power source: The wiring method should comply with Article 725 and 300 in National Electrical Code for Class 2 circuits and Wiring in Ducts.

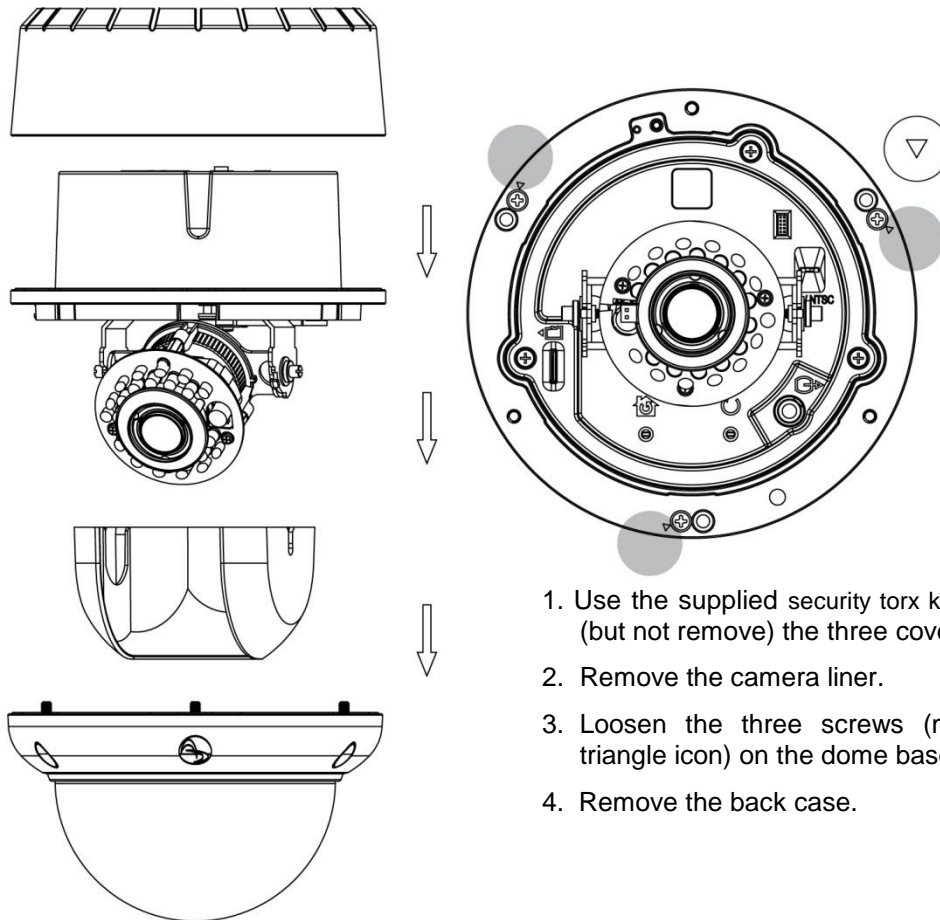
1. Camera Installation

Accessory List

- Security Torx Key x 1
- Screw hole plug x 4
- Screw x 4
- Anchor x 4
- Guide Pattern Template x 2
- CD-ROM x 1
- Quick Start Guide x 1

Mounting the Camera

Step 1. Preparation – Remove the dome cover, camera liner and back case.



1. Use the supplied security torx key to loosen (but not remove) the three cover screws.
2. Remove the camera liner.
3. Loosen the three screws (marked with triangle icon) on the dome base.
4. Remove the back case.

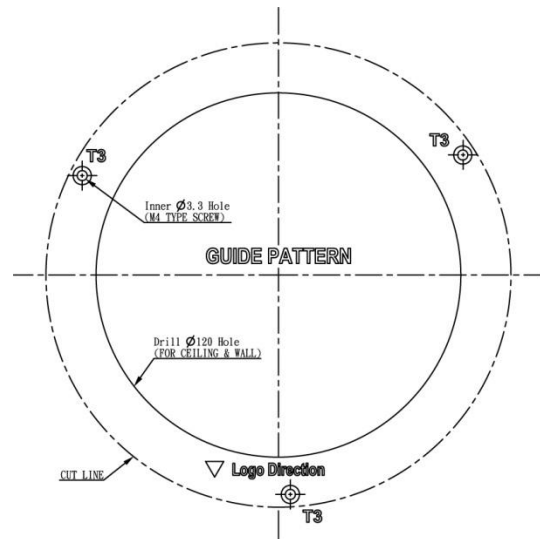
Step 2. Use the template to mark-out and prepare the mounting area

Method 1: To flush mount using screws

2. Create a circular opening in the mounting surface with a diameter of 120 mm (4.7") with tolerances of $-0/+5$ mm ($-0/.0.2$ ").
3. Create three 6 mm (0.2") holes at the **T3** template positions. Then insert the screw anchors into the holes.

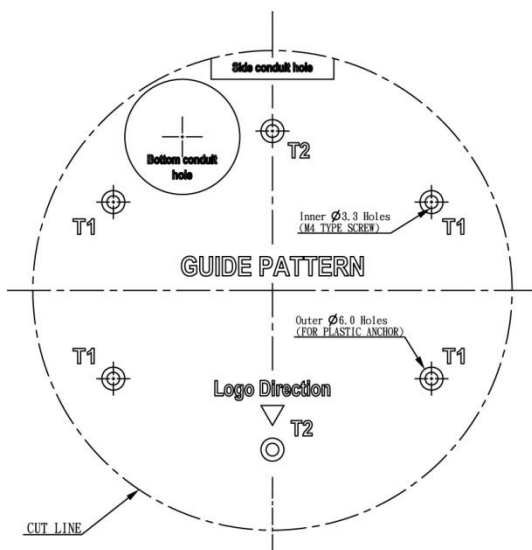
Notes:

- Not intended for drop ceiling installation without appropriate lanyard.
- Not intended for installation in ceilings used for environmental air return.



Method 2: To surface mount

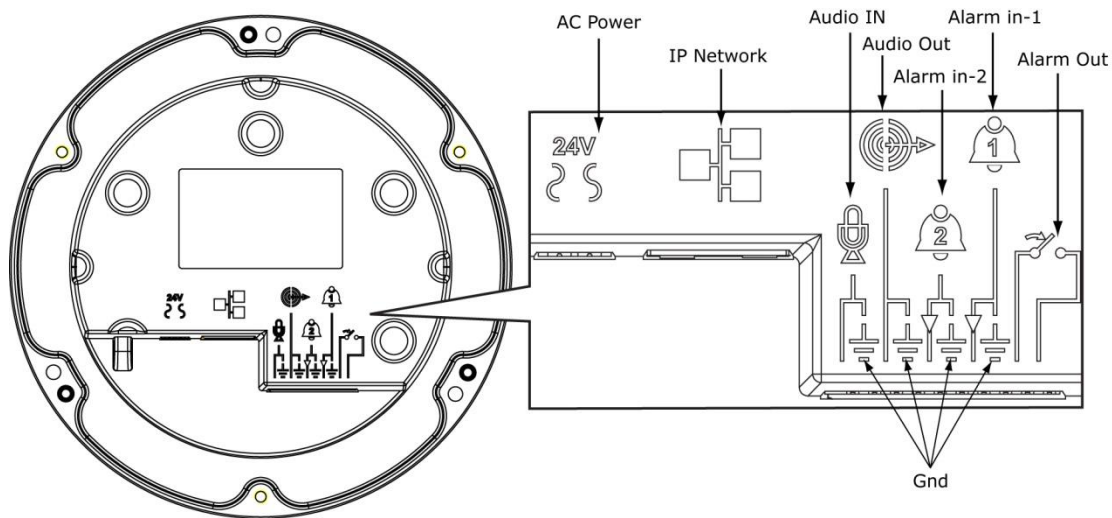
1. According to your needs, create 6 mm (0.2") holes at the **T1/T2** template positions. Then insert the screw anchors into the holes.
2. If you want to feed wiring from the hole on the top of the back case, create a circular opening (bottom conduit hole) in the mounting surface.



Method 3: To surface mount using junction box

No need to mark-out and prepare the mounting areas. Skip to next section for mounting instructions.

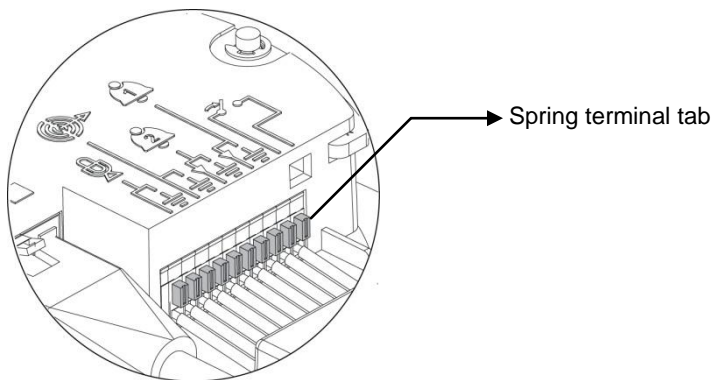
Step 3. Connect the wiring and make adjustments

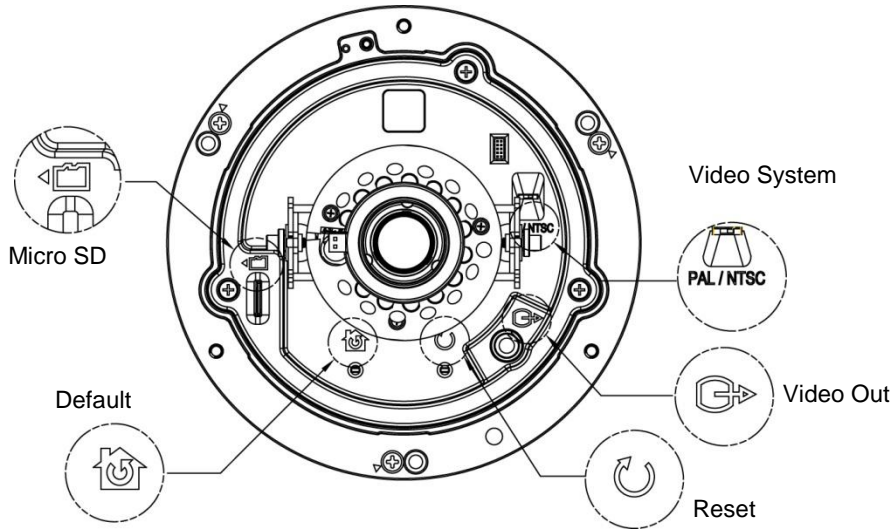


- **AC Power:** Connects to AC 24V power supply. If you are to use power from Ethernet connection, this connector is not used when the power is provided by PoE.
- **IP Network Connector:** Connects to the LAN port of a standard 10Base/100Base-TX device, e.g., hub, switch or router.
- **Audio In:** Connects to an external microphone.
- **Audio Out:** Connects to speaker.
- **Alarm In 1 & 2:** Connects to devices that trigger alarm signals. Up to two 2 input devices can be connected.
- **Alarm Out:** Connects to device that responds to alarm signals, such as buzzers or lights.
- **GND:** Ground (electricity) in electrical circuits.

Note

To connect the Audio In/Out, Alarm In/Out or GND wires, press the relevant spring terminal tab inward using an appropriate small tool and insert the wire into the opening. Then release the tab to secure the wire.





Video System: NTSC / PAL system switch. Default is NTSC. Use a suitable small tool to operate the switch.

Note:

After switching the video system mode from NTSC to PAL or vice versa, you have to restore defaults to apply the changes. You can do this by either of these methods:

1. Press the **Default** button on the camera and release within 4 seconds to restart the camera.
2. Enter the web-based **illustra** utility > **System** > **Firmware** and press the **Factory Default** button.

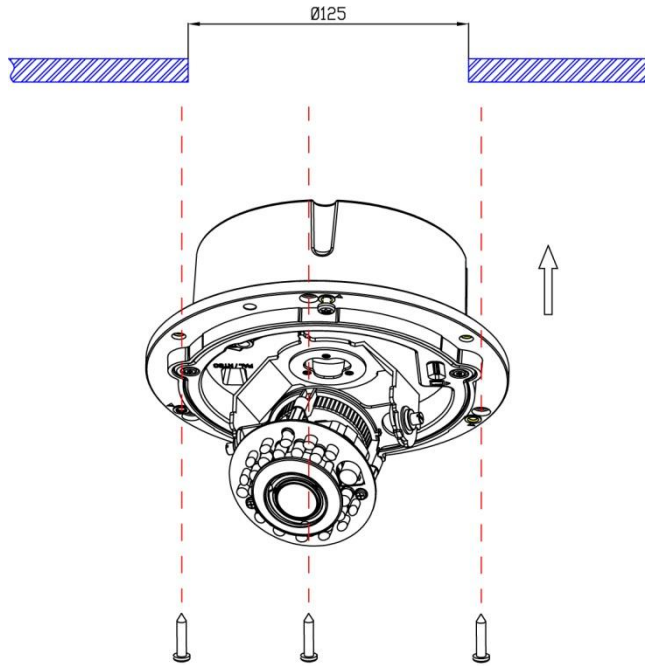
- **Micro SD:** Micro SDHC card slot.
- **Default:**
 - **Factory Default:** Press and release within 4 seconds to restart the camera and restore factory defaults, excluding IP settings*.
 - **Hardware Factory Default:** Press for more than 5 seconds and then release to restart the camera and restore factory defaults, including IP settings*.

*The IP settings include DHCP, IP address, subnet mask, default gateway, DNS and HTTP port, which are configured under **Network > IP & Ethernet** in the **illustra** utility .
- **Reset:** Using a paper clip or thin object, press the button for at least one second and release to restart the camera.
- **Video Out:** Analog video out RCA jack. Connects to video in connector of a monitor.

Step 4. Mount the dome enclosure

Method 1: To Flush Mount the Dome using screws

1. Fasten the three TP4 screws to the inserted anchors to secure the dome enclosure in place.



2. Adjust the focusing position by rotating and panning the camera base. When rotating the camera base, do not rotate it past the stop point.

3. Fit the camera liner over the camera base so that it snaps into place.

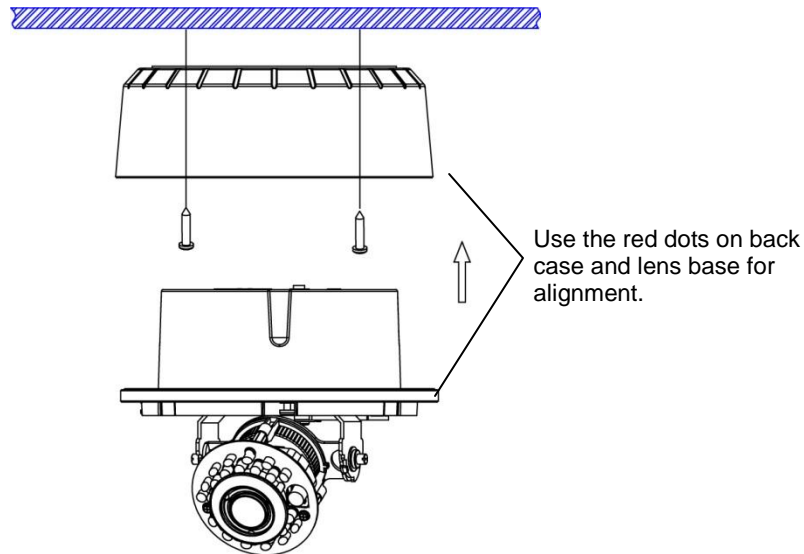
4. Use the supplied security torx key to tighten the three cover screws to replace the dome cover.

5. Finally, insert the screw hole plugs to the three cover screws.

Method 2: To surface mount

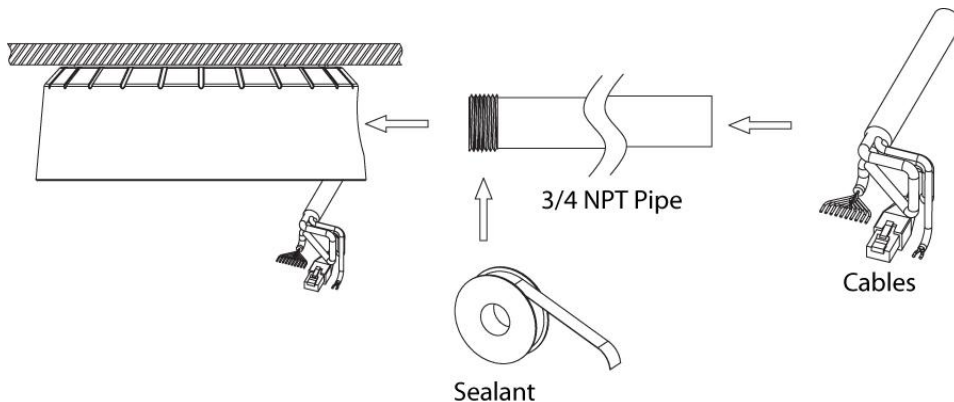
1. According to your needs, use the top or side conduit hole on the back case for cable entry and connect the wiring. Then mount the back case on a surface with screws.

2. Align the back case and the lens, and then fasten the TP4 screws into the inserted anchors. There is a red dot on the base case and the lens base respectively. Use the dots to align the case and the base.



If you are going to use the side conduit hole, note that:

- Use a 3/4" NPT (National Pipe Thread) pipe to feed the cables.
 - Before inserting the pipe to the side conduit hole, use a tape to seal the threads of the pipe.
 - Wrap at least 12 full loops of seal tape around the threads. Ensure that all the 100mm of tape is wrapped around the threads of the pipe to ensure a tight seal and to prevent leaks.
 - Ensure all areas of the thread on the pipe are covered with seal tape.
1. Only those seal tapes complying with the UL's requirements should be considered (Category Code: JNGR).



-
3. Adjust the focusing position by rotating and panning the camera base. Note that the back case side conduit hole is the point where the camera will not rotate past.
 4. Fit the camera liner over the camera base so that it snaps into place.
 5. Use the supplied security torx key to tighten the three cover screws to replace the dome cover.
 6. Finally, insert the screw hole plugs to the three cover screws.

2. Network Connection

Connect to a PC directly: Directly connect the camera to a PC using a standard Ethernet cable.

Connecting Camera(s) to a Local Area Network (LAN): To add the camera(s) to an existing LAN, just connect the camera(s) to the hub or switch on your network. If you want to provide the camera power via the Ethernet connection, a PoE-enabled hub/switch is required.

3. Configure PC Network Settings

The camera comes with a web-based setup utility, allowing you to view the video of the camera and configure the camera for optimal use in your environment. To access the camera's web-based control utility, you need a PC that meets the following requirements:

Step 1: Check system requirements

- **Operating System:** Windows Vista or Windows 7
- **Browser:** Internet Explorer Version 8.0 or later
- **CPU:** Intel Core 2 duo P8400 or higher
- **RAM:** DDR3 4GB or more

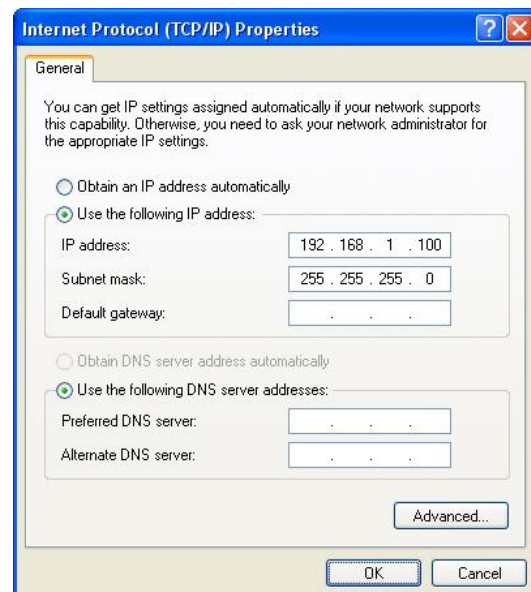
Step 2: Set the IP address of your PC

The camera uses a default IP address of 192.168.1.168 and subnet mask of 255.255.255.0. To have your PC on the same network with the camera, configure your PC's IP settings as below:

IP address: 192.168.1.X, where X is a number between 2 to 254, excluding 168.

Subnet mask: 255.255.255.0.

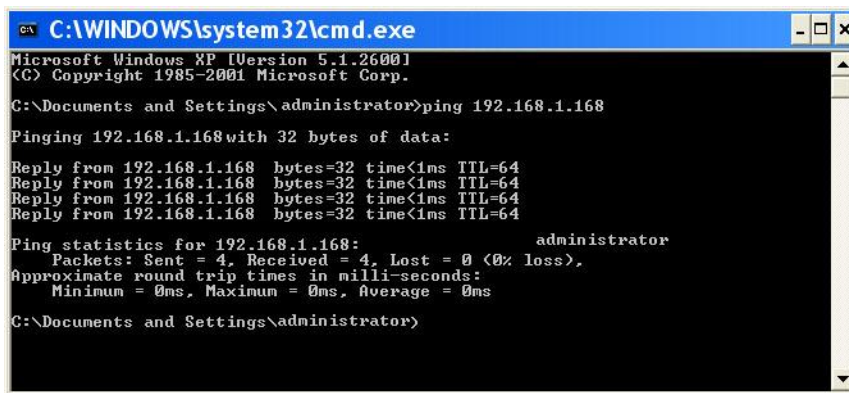
Ignore all other settings and click **OK**.



Step 3: Verify the connection between the PC and the IP Cam

1. Launch the **Command Prompt** by clicking the **Start** menu, **Programs**, **Accessories** and then **Command Prompt**.
2. At the prompt window, type `ping x.x.x.x`, where x.x.x.x is the IP address of the camera (the default is 192.168.1.168).

If the message of “**Reply from...**” appears, it means the connection is established.



```
C:\WINDOWS\system32\cmd.exe
Microsoft Windows XP [Version 5.1.2600]
(C) Copyright 1985-2001 Microsoft Corp.

C:\Documents and Settings\administrator>ping 192.168.1.168

Pinging 192.168.1.168 with 32 bytes of data:

Reply from 192.168.1.168: bytes=32 time<1ms TTL=64
Reply from 192.168.1.168: bytes=32 time<1ms TTL=64
Reply from 192.168.1.168: bytes=32 time<1ms TTL=64
Reply from 192.168.1.168: bytes=32 time<1ms TTL=64

Ping statistics for 192.168.1.168:
    Packets: Sent = 4, Received = 4, Lost = 0 (0% loss),
    Approximate round trip times in milli-seconds:
        Minimum = 0ms, Maximum = 0ms, Average = 0ms

C:\Documents and Settings\administrator>
```

Step 4: Access the camera from IE browser

Open the IE browser and enter the IP address of the camera in the URL field. The default is 192.168.1.168.



When prompted to login, enter the user name and the password. (The defaults: admin, admin). Note that the password is case-sensitive.



Upon successful login, you will see the live view screen of your camera.