



American Dynamics

A Tyco International Company

Quick Setup Guide

illustra 400 Fixed IP Outdoor Mini-Dome (PoE)

WARNING

At close range, infrared light can seriously damage a person's vision. Install this illuminator with a minimum safety zone of 1.22m (4 ft.) between the illuminator and the closest possible human contact.

Note: 1.22m (4 ft.) is the actual measurement of the strength of the IR Illuminators that are being used.

Note: CAMERA STARTS UP IN BLACK & WHITE BECAUSE THE IR ILLUMINATOR IS DISCONNECTED.

For safety reasons, the IR Illuminator is disconnected at the factory. If the IR Illuminator were to accidentally trigger during install, it may pose a hazard to those within 4 feet. Once the camera is installed, reconnect the power lead (see manual). Ensure that you do not cover the photo cell (see manual) after power is reconnected as that may trigger the IR illuminator.

SERVICE WARNING

DO NOT LOOK DIRECTLY INTO AN OPERATIONAL IR ILLUMINATOR.

Since IR light is invisible to the human eye, the only method of verifying a malfunctioning IR illuminator is to observe the picture at the video output location.

SAFETY PRECAUTIONS

All the following safety and operational instructions to prevent harm or injury to the operator(s) or other persons should be read carefully before the unit is activated.

WARNING

- To prevent fire or shock hazard, avoid exposing this unit to rain or moisture.
- Do not block ventilation openings.
- Do not place anything on top of the unit that might spill or fall into it.
- Do not attempt to service this unit yourself, as opening or removing covers may expose you to dangerous voltage or other hazards. Please refer all servicing to your distributor / retailer.
- Do not use liquid cleaners or aerosols for cleaning.
- To prevent fire or electric shock, do not overload wall outlets or extension cord.
- The installation should be made by a qualified service person.
- PoE warning: If the PoE injector is used instead of the supplied power adaptor, all of the wiring to and from the injector must be routed/ installed inside a building/ plant and never routed/ installed outside of the building/ plant.
- Please only select a power adapter or power certified by UL and marked at 24Vac / 60 Hz, minimum 1A, class 2 or LPS.
- The interconnecting cables should be placed inside the UL certified Outdoor Use Conduits.
- Please do not look directly at the shining, reflecting surface of the camera housing. Looking directly could result in eye uncomfortable.
- This product should not be used for the same purposes as consumer electronic devices.

CAUTION

- RISK OF EXPLOSION IF BATTERY IS REPLACED BY AN INCORRECT TYPE. DISPOSE OF USED BATTERIES ACCORDING TO THE INSTRUCTIONS.

Under copyright laws, the contents of this manual may not be copied, photocopied, reproduced, translated or reduced to any electronic medium or machine-readable form, in whole or in part, without prior written consent of Tyco International Ltd. © Copyright 2010 and its Respective Companies. All Rights Reserved,

American Dynamics

6600 Congress Avenue

Boca Raton, FL 33487, U.S.A.

1. Part Names

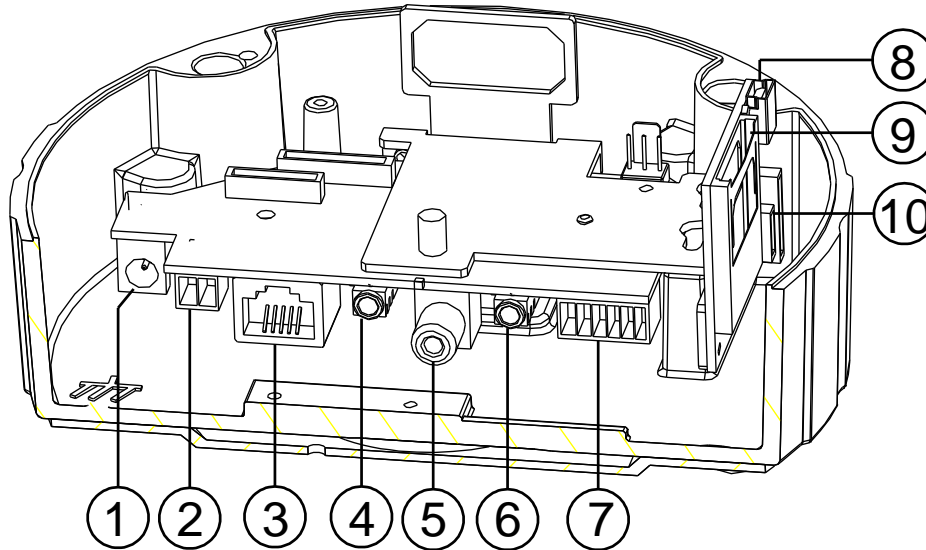
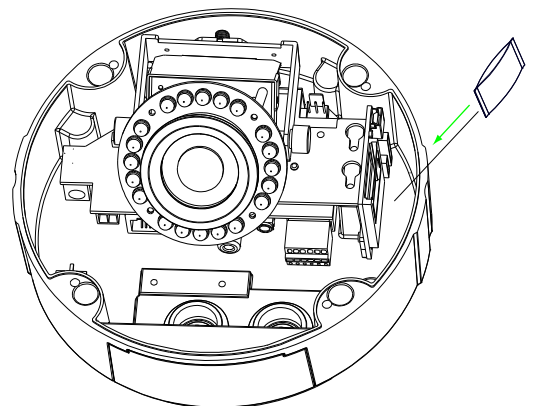


Figure 1.1 Part Names

1. **Plug Inlet:** A DC 12V inlet that connects to an external power supply.
2. **Plug Inlet:** An AC 24V inlet that connects to an external power supply.
3. **ETHERNET 10/100 Connector:** This is a standard RJ-45 connector for 10/100 Mbps Ethernet networks. PoE (Power over Ethernet) function: Provides power to the device via the same cable as used for the network connection.
4. **AUDIO IN:** The connector is used to connect the audio output from other devices to the camera.
5. **VIDEO OUT Connector:** The connector provides the unit's composite video signals to a monitor. (This connector adjusts and improves the images.)
6. **AUDIO OUT:** Provides the camera's audio signal to a speaker or stereo.
7. **GPIO:** This is a 6-PIN connector including the **Digital output/input**, **DC output** and **GROUND** items for connecting with external devices.
8. **USB port:** The user can use a USB device cable to connect the IP camera to the USB port on the PC.
9. **SD/ SDHC CARD slot:** This is used for updating system software and archiving / accessing critical images.
10. **RESET:** Recover to factory default.

NOTE: The user can replace the desiccant pack depending on how often the camera interior has been opened to the environment. Stick and fix a desiccant pack to the inner side of the camera with a two-side adhesive tape, then reattach the cover of the camera.



2. The Reset Button

You can use the Reset button to reset the camera operations back to default. Press the **Reset Button** for about 10 seconds. Blue screens will be displayed, and a text saying “RESETTING...” will appear. The device auto reboots. All settings have now reverted back to default. The following items return back to default.

[SETUP]

Network Setup

- a. LAN Settings
- b. PPPOE Settings

Dynamic DNS

- a. DYNAMIC DNS SETTING

IMAGE SETUP

- a. Privacy Mask Setting
- b. IMAGE SETTINGS

AUDIO AND VIDEO

- a. VIDEO PROFILE 1
- b. VIDEO PROFILE 2
- c. VIDEO PROFILE 3
- d. AUDIO SETTINGS

MOTION DECTION

- a. Video Motion setting

TIME AND DATE

- a. TIME CONFIGURATION
- b. AUTOMATIC TIME CONFIGURATION
- c. SET DATE AND TIME MANUALLY

Event Setup

- a. Server
- b. Media
- c. Event
- d. Recording

[ADVANCED]

DI and DO

- a. DI and DO
- b. LED
- c. VIDEO OUTPUT

ICR

- a. ICR

HTTPS

- a. HTTPS

Access List

- a. Allow List
- b. Deny List

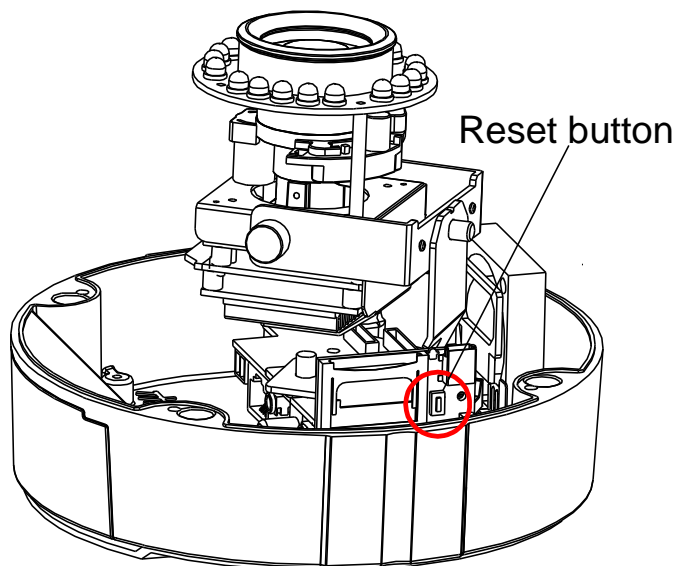


Figure 3.1 The Reset Button

3. Install, Configure and set the IP Dome Camera

The IP Indoor Mini-dome software default setting is DHCP OFF. You can build the IP Indoor Mini-dome working environment with a static IP address. The default static IP is **192.168.1.168**.

You can set an IP address for the IP Indoor Mini-dome if the LAN unit isn't connected to a DHCP server. Or turn on the DHCP setting to use the DHCP protocol if the DHCP server is working in the LAN. The IP Indoor Mini-dome will obtain an IP address automatically from the DHCP server.

The IP Indoor Mini-dome is linked by its Video Out connection via a BNC connector to a monitor's Video In connection. If this connection is enabled, you will see some information on the monitor screen, such as the IP Indoor Mini-dome factory default Static IP address.

1. Check the IP class of your PC

Step 1: Select **Settings** from the **Start** menu, and then click **Control Panel**.

Step 2: Double-click the **Network Connections** icon. The **Network Connections** dialog box appears.

Step 3: Click the **Protocols** tab in the **Network Connections** dialog box.

Step 4: Select **Internet Protocol (TCP/IP)** and click **Properties**.

Step 5: Select **Use the following IP Address** to indicate that you do not wish to use the DHCP, and assign IP Address 192.168.1.200 with Subnet mask 255.255.255.0. Click **OK** when you finish.

Step 6: Choose **Close** to finish the modification.

2. Install UPnP Packets of your PC

Microsoft Windows XP[®] does not start the UPnP service by default. Some packets must be installed before it is initialized, as described below.

Step 1: Select **Set Program Access and Default** from the **Start** menu.

Step 2: Click the **Add/Remove Windows Components** button when the **Add or Remove Programs** dialog box appears.

Step 3: Check the **Network Services** in the **Windows Component Wizard** dialog box, and then click **Details....**

Step 4: Check **UPnP User Interface**, and choose **OK**.

Step 5: Click **Next** when the original **Network Component Wizard** dialog box returns. After about one minute the UPnP installation is complete.

Step 6: Select **Finish** to close.

3. Turn on Services of your PC

After installation, turn on the relative services to start the UPnP protocol, as described below.

Step 1: Select **Settings** from the **Start** menu, and then click **Control Panel**.

Step 2: Double-click the **Administrative Tools** icon. The **Administrative Tools** dialog box appears.

Step 3: Click the **Services** icon in the **Administrative Tools** dialog box.

Step 4: Double-click the **SSDP Discovery Service** icon when the **Services** dialog box shows up.

Step 5: Choose **Automatic** in the **Startup type**, and click **OK** to start it. The **Services** dialog box appears again.

Step 6: Double-click the **Universal Plug and Play Device Host** icon.

Step 7: Choose **Automatic** in the Startup type, press the **Start** button, and click **OK** to start it.

Step 8: Restart your system.

4. Set the static IP address in the IP Dome Camera.

Step 1: Plug in the IP Dome Camera power connection.

Step 2: Plug the USB connector into your PC's USB socket and the other end of the connector in the rear of the dome lens. A window pops up asking if you want to "Run the program", "Open folder to view files", or "Take no action".

Step 3: Choose "Run the program" and click "OK", and the "USB configuration" window will pop up.

Step 4: Set the Network setting and type in the IP address you desire. Before you change the IP address, you should note the factory default Static IP address (192.168.1.168).

Step 5: Click the "**Apply**" button in the "**USB Configuration**" window. A message pops up asking you to confirm the action as "OK".

Step 6: Click "OK", and remove the USB connection from your PC.

Step 7: Click "**Exit**" at the bottom of the "**USB Configuration**" window to close the window. Alternatively you can click the "**Launch**" button to see the local camera images immediately. However, you must check your PC's IP

Quick Setup Guide

address and link to your camera with the network connector (RJ-45) before doing so.

Step 8: If you can see the images, then the IP setting is complete.

5. Scan IP Dome Camera through “My Network Place”

After your installation and starting services, the UPnP protocol will take effect.

Step 1: Scan all IP Dome Cameras in My Network Place.

Step 2: Double click the **IP DOME CAMERA** icon, and the video live stream will pop up automatically without assigning any IP address in the Microsoft Internet Explorer.

6. Change the IP Dome Camera's control and operational settings.

Step 1: Enter the IP address in the IE Browser. You will now see the IP Dome Camera images.

Step 2: Use the buttons below the images to enter any other operational settings pages.

Step 3: When you change any setting, please remember to click the “**Submit**” button in each page.

NOTE: Enable DHCP Function: This function can only work if the LAN, which the unit is connected to, has a DHCP server. If the DHCP server is working, the IP Dome Camera will obtain an IP address automatically from the DHCP server.

NOTE: The default “User Name” and “Password” are admin and 9999, respectively. If either the user name or the password is incorrect, please check the input data and rectify it as necessary.

NOTE: When only one unit of the IP Dome Camera is connected to a computer or LAN, you can freely assign an IP address for the IP Dome Camera. For example, there is a range of IP Dome Camera IP addresses from 192.168.1.1 to 192.168.1.255. You can pick one for use from the range of the IP. It's not necessary to set MASK and GATEWAY; leave the settings as default.

When an IP Dome Camera is connected to a WAN, you must acquire a unique, permanent IP address and correctly configure the MASK and GATEWAY settings according to your network architecture. If you have any questions regarding those settings, please consult a qualified MIS professional or your ISP.

Specifications

Illustra 400 Fixed IP Outdoor Mini-Dome (PoE)

Model	ADCi400-D021	Illustra 400 fixed dome 2/3MP 3.3-12mm TDN WDR PoE outdoor white clear IR illuminator NTSC
	ADCi400-D022	Illustra 400 fixed dome 2/3MP 3.3-12mm TDN WDR PoE outdoor white clear IR illuminator PAL
	ADCi400-D023	Illustra 400 fixed dome 2/3MP 3.3-12mm TDN WDR PoE outdoor white smoke IR illuminator NTSC
	ADCi400-D024	Illustra 400 fixed dome 2/3MP 3.3-12mm TDN WDR PoE outdoor white smoke IR illuminator PAL
	ADCi400-D041	Illustra 400 fixed dome 2/3MP 3.3-12mm TDN WDR PoE outdoor black clear IR illuminator NTSC
	ADCi400-D042	Illustra 400 fixed dome 2/3MP 3.3-12mm TDN WDR PoE outdoor black clear IR illuminator PAL
	ADCi400-D043	Illustra 400 fixed dome 2/3MP 3.3-12mm TDN WDR PoE outdoor black smoke IR illuminator NTSC
	ADCi400-D044	Illustra 400 fixed dome 2/3MP 3.3-12mm TDN WDR PoE outdoor black smoke IR illuminator PAL
	ADCi400-D061	Illustra 400 fixed dome 2/3MP 3.3-12mm TDN WDR PoE outdoor silver clear IR illuminator NTSC
	ADCi400-D062	Illustra 400 fixed dome 2/3MP 3.3-12mm TDN WDR PoE outdoor silver clear IR illuminator PAL
	ADCi400-D063	Illustra 400 fixed dome 2/3MP 3.3-12mm TDN WDR PoE outdoor silver smoke IR illuminator NTSC
	ADCi400-D064	Illustra 400 fixed dome 2/3MP 3.3-12mm TDN WDR PoE outdoor silver smoke IR illuminator PAL
Camera	Image sensor	1/3" Sony IMX035 CMOS sensor
	Lens	Computar 3.3 –12 mm Vari-focal auto iris DC drive
	Minimum illumination	Color: 0.2 Lux @ F1.4.
	IR cut filter	Yes
	Day & Night	Auto / Day / Night / Schedule.
	WDR	Yes
Image	Video Compression	H.264 / MJPEG.
	Resolution	NTSC: 896x720 (D2), 720x480 (D1), 352x240(CIF), 176x120(QCIF). PAL: 896x720 (D2), 720x576 (D1), 352x288(CIF), 176x144(QCIF).
	Video streaming	- Simultaneous H.264, MJPEG. - Multi-profile: resolution / compression / frame rate / video quality.
	Profiles	3
	Image settings	- Adjustable image size, quality, and bit rate. - Day / Night mode. - Flip & Mirror. - AGC, AWB, AES. - Time stamp and text caption overlay. - Privacy masks.
	Video management software	SDK, including HTTP-API / ActiveX / ONVIF.
Audio	Audio streaming	Two-way.
	Compression	G.711u / G.726.
	Audio bit rate	G.711u 64kbps / G.726 32kbps.
	Inputs / outputs:	1 x input / 1 x output (3.5mm earphone jack).

Quick Setup Guide

Network	Security	Multi-level password protections, IP address filtering, HTTPS encryption, User access log.
	Protocols	IPv4, HTTPS, HTTP, TCP, UDP, RTP/RTCP/RTSP, DHCP, NTP, FTP, SMTP, UPnP, ICMP, ARP, DDNS, PPPoE, SAMBA
	Users	Access by 10 simultaneous users.
	Firmware update	SD card / HTTP.
Alarm	Recording	SD card, SAMBA, FTP
	Pre-alarm recording	Yes.
	Advanced motion	512 zones. Sensitivity: 0 - 100 %.
	Trigger	Motion Detection Schedule Alarm input Ethernet loss Network/Remote digital alarm input
	Notification	SD card recording, SMTP, FTP, HTTP, alarm output.
Connectors	RJ-45	10 BASE - T / 100 BASE - TX.
	Digital I / O	Push-in: 2 x digital input / 2 x digital output / 1 X DC output (12V DC) / 1 x ground
	Earphone jack	1 x 3.5 mm (1 x Audio in [mic. in / line in], 1 x Audio out [line output]).
	Iris	DC IRIS.
	Reset	Reset for factory default.
	Local storage device	SD / SDHC card slot.
General	LED indicators	Power / Network / SD card.
	Power	- DC 12V (DC power jack). Approx. 8.4 W - AC 24V (2 pin terminal block). Approx. 10.5 W - Approx. 10.5 W, IEEE 802.3af compliant class 3.
	Processors	TMS320DM365.
	OS	Linux 2.6 kernel.
	Operating conditions	-40°C to 50°C (-40°F to 122°F).
	Approval	CE, FCC, RoHS.
	Dimensions	123 x 150 mm. (H x W)
	Accessories included	- Installation Guide. - CD x 1 (includes User's Manual). - Power adapter: (Input: 100-240 VAC, 50 / 60 Hz, Output: 12VDC, 1A). - USB cable x 1

* Specifications are subject to change without notice.