

## IFIRPTZC2X2 Ceiling Mount Installation Guide

The IFIRPTZC2X2 ceiling mount is used to mount the IR PTZ camera in a 2x2 suspended ceiling.

This guide explains how to assemble and install this mounting structure.

<b>Parts Supplied with IFIRPTZC2X2</b>	<b>Part Number</b>
Plate 2x2 Mount	0505-2574-01
Galvanized Wire Hanger	2898-0007-01
T Bar Ceiling Kit	0351-1673-01
IR PTZ 2x2 Install Kit	0352-0642-01

### Parts Supplied with IFIRPTZWRECMT

Rubber Inserts x4  
Mylar x2  
Security Torx Wrench x1

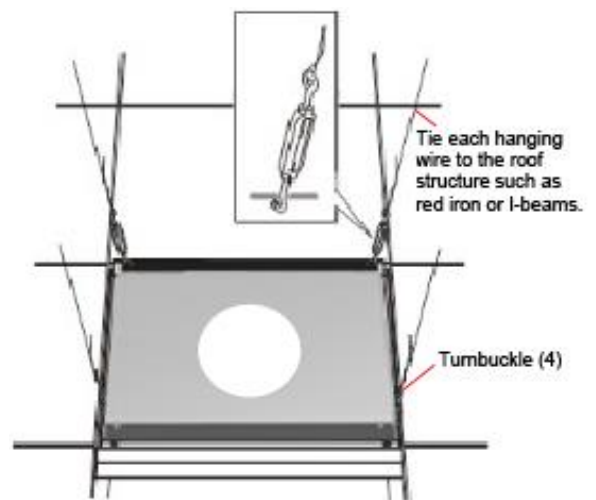
### Procedure 1: Installing the Ceiling Mount

**Note:** If placing the ceiling mount into a 2 x 2 foot opening, use the T Bar ceiling Kit. See instructions supplied with the kit.

**Note:** Steps 1 to 7 below refer to **Figure 1**.

- | <b>Step</b> | <b>Action</b>   |
|-------------|---|
| 1.          | Remove the ceiling tile to create an opening and remove adjacent tiles on both sides of the opening to facilitate access to cables.   |
| 2.          | Thread the four hanging wires around a roof structure nearest the four corners of the opening such as red iron or I-beams.<br><b>Note:</b> Do not attach to pipes or conduit. |
| 3.          | Twist each wire around itself at least four times to secure it to the roof structure.   |
| 4.          | Remove the four turnbuckles from the kit and fully extend the hook and eye of each one.   |
| 5.          | Insert the hook of the turnbuckle into each of the four holes on the mounting plate and using a pliers, crimp the hook to affix the turnbuckle to the plate.                  |
| 6.          | Tilt the mounting plate to get it above the opening, then drop it in place.   |
| 7.          | Straighten each hanging wire, then thread it through the eye of the turnbuckle closest to it and twist it around itself at least four times.                                  |

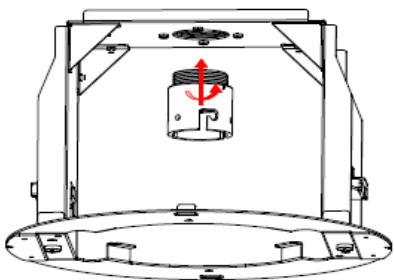
**Figure 1.**



©2019 Tyco Security Products. All rights reserved.

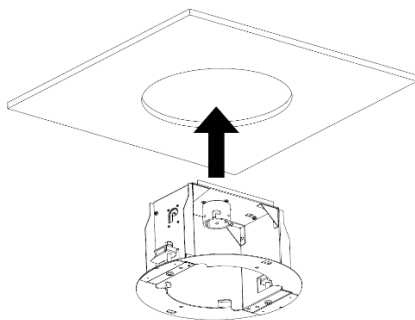
## Procedure 2: Recess mount installation with a ceiling plate.

- | Step | Action  |
|------|---|
| 1.   | Secure the adaptor ring to the recess mount bracket (IFIRPTZWRECMT). See <b>Figure 2a</b> . |



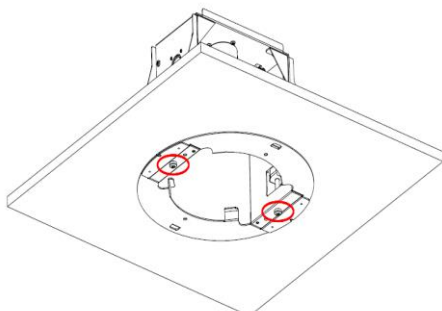
**Figure 2a**

- |    |  |
|----|--|
| 2. | Place the 310mm (12.2inch) 'Guide' sticker provided in the accessory kit on the ceiling plate and cut a 310mm hole, then insert the recess mount bracket into the ceiling plate hole. See <b>Figure 2b</b> . |
|----|--|



**Figure 2b**

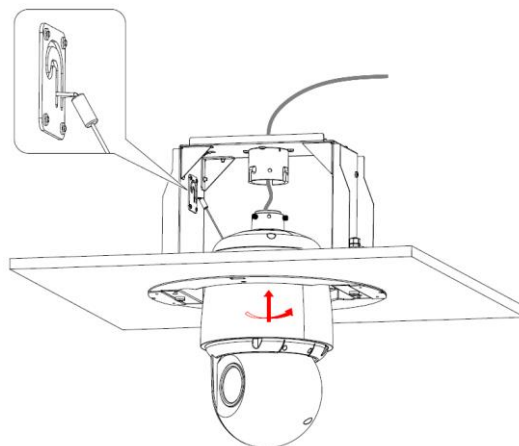
- |    |  |
|----|--|
| 3. | Turn both "locking" screws clockwise to fully extend the "swing out" mounting clips and seat them tightly against the top surface of the ceiling plate. See <b>Figure 2c</b> . |
|----|--|



**Figure 2c**

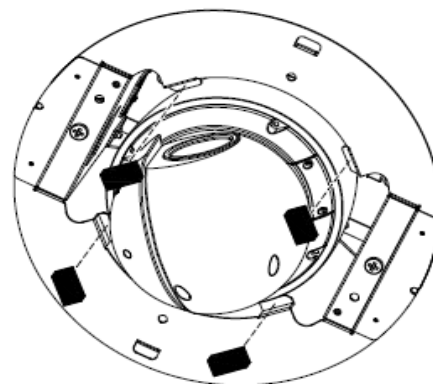
## Procedure 2: Recess mount installation with a ceiling plate (continued).

- | Step | Action   |
|------|--|
| 4.   | Attach the PTZ camera safety wire to the 'J' hook on the recess mount bracket and connect the cables to the PTZ camera. See <b>Figure 2d</b> . |



**Figure 2d**

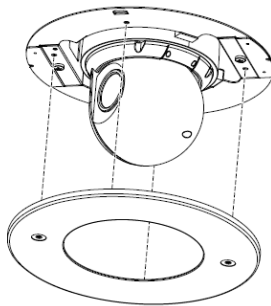
- |    |  |
|----|--|
| 5. | Turn the PTZ camera clockwise to securely connect the camera to the adaptor ring. See <b>Figure 2d</b> .   |
| 6. | Remove the protective paper from the four rubber inserts and using the adhesive side stick them into the four gaps between the camera outer enclosure and the recess mount bracket. See <b>Figure 2e</b> . |



**Figure 2e**

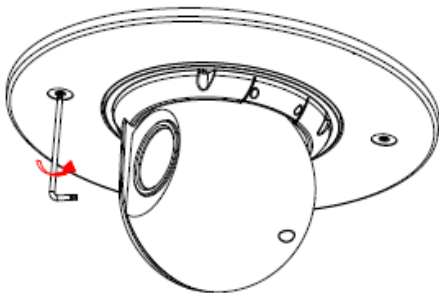
**Procedure 2: Recess mount installation with a ceiling plate (continued).**

- | <b>Step</b> | <b>Action</b>   |
|-------------|---|
| 7.          | Place the ceiling cover around the PTZ camera. See <b>Figure 2f</b> . |



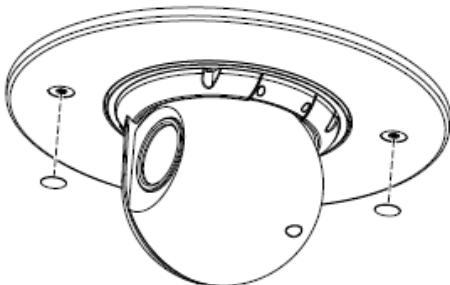
**Figure 2f**

- |    |  |
|----|--|
| 8. | Turn the two screws clockwise to lock the ceiling cover to the recess mounting bracket. See <b>Figure 2g</b> . |
|----|--|



**Figure 2g**

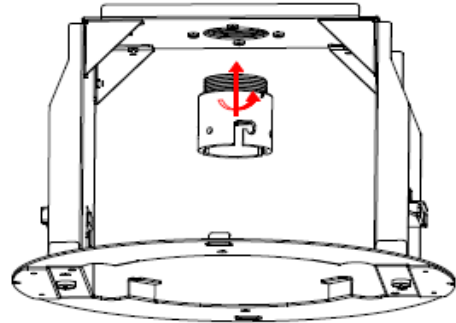
- |    |  |
|----|--|
| 9. | Attached the two 'mylars' to conceal both screws. See <b>Figure 2h</b> . |
|----|--|



**Figure 2h**

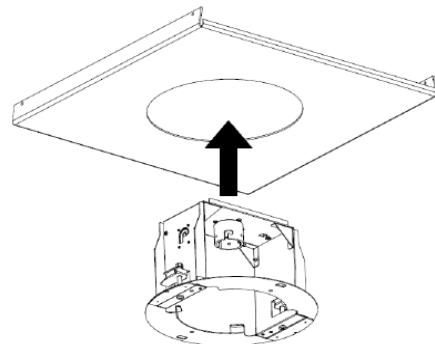
**Procedure 3: Recess mount installation with a 2x2 ceiling plate.**

- | <b>Step</b> | <b>Action</b>   |
|-------------|---|
| 1.          | Secure the adaptor ring to the recess mount bracket (IFIRPTZWRECMT). See <b>Figure 3a</b> . |



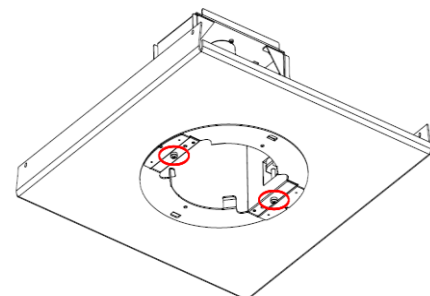
**Figure 3a**

- |    |   |
|----|---|
| 2. | Insert the recess mount bracket into the 2x2 ceiling plate (IFIRPTZC2X2) hole. See <b>Figure 3b</b> . |
|----|---|



**Figure 3b**

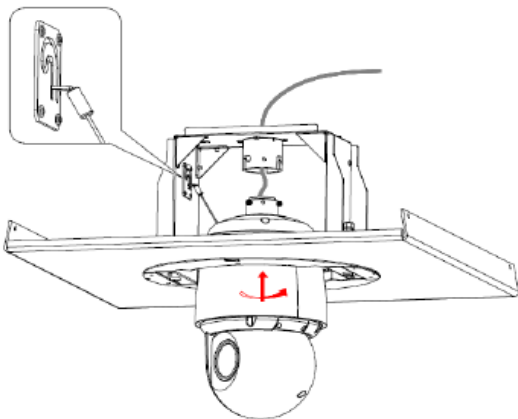
- |    |  |
|----|--|
| 3. | Turn both "locking" screws clockwise to fully extend the "swing out" mounting clips and seat them tightly against the top surface of the 2x2 ceiling plate. See <b>Figure 3c</b> . |
|----|--|



**Figure 3c**

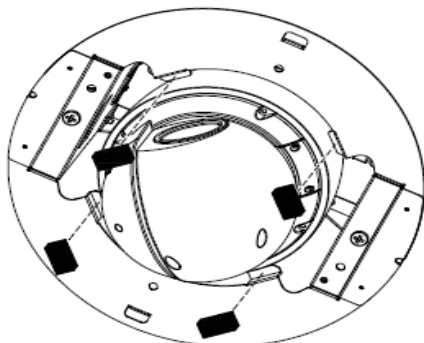
**Procedure 3: Recess mount installation with a 2x2 ceiling plate (continued).**

- Step Action**
- Attach the PTZ camera safety wire to the 'J' hook on the recess mount bracket and connect the cables to the PTZ camera. See **Figure 3d**.



**Figure 3d**

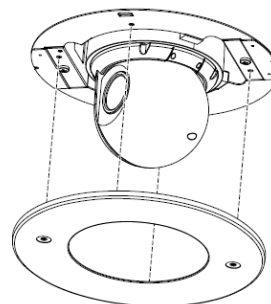
- Turn the PTZ camera clockwise to securely connect the camera to the adaptor ring. See **Figure 3d**.
- Remove the protective paper from the four rubber inserts and using the adhesive side stick them into the four gaps between the camera outer enclosure and the recess mount bracket. See **Figure 3e**.



**Figure 3e**

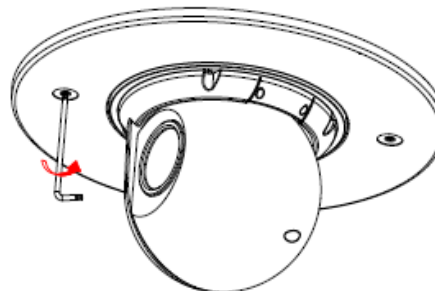
**Procedure 3: Recess mount installation with a 2x2 ceiling plate (continued).**

- Step Action**
- Place the ceiling cover around the PTZ camera. See **Figure 3f**.



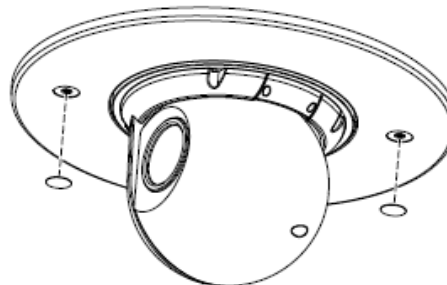
**Figure 3f**

- Turn the two screws clockwise to lock the ceiling cover to the recess mounting bracket. See **Figure 3g**.



**Figure 3g**

- Attached the two 'mylars' to conceal both screws. See **Figure 3h**.



**Figure 3h**



## Declarations

Thank you for using American Dynamics products. We support our products through an extensive and worldwide network of dealers. The dealer, through whom you originally purchased this product, is your point of contact if you have a need for service or support. Our dealers are fully empowered to provide the very best in customer service and support.

Dealers should contact American Dynamics at (800) 507-6268 or (561) 912-6259 or on the web at [www.americandynamics.net](http://www.americandynamics.net).

**WARRANTY DISCLAIMER:** Sensormatic Electronics Corporation makes no representation or warranty with respect to the contents hereof and specifically disclaims any implied warranties of merchantability or fitness for any particular purpose.

**NOTICE:** The information in this manual was current when published. The manufacturer reserves the right to revise and improve its products. All specifications are therefore subject to change without notice.

**LIMITED RIGHTS NOTICE:** For units of the Department of Defense, all documentation and manuals were developed at private expense and no part of it was developed using Government Funds. The restrictions governing the use and disclosure of technical data marked with this legend are set forth in the definition of "limited rights" in paragraph (a) (15) of the clause of DFARS 252.227.7013. Unpublished rights reserved under the Copyright Laws of the United States.

**TRADEMARK NOTICE:** The trademarks, logos, and service marks displayed on this document are registered in the United States [or other countries]. Any misuse of the trademarks is strictly prohibited and Tyco International Ltd. will aggressively enforce its intellectual property rights to the fullest extent of the law, including pursuit of criminal prosecution wherever necessary. All trademarks not owned by Tyco International Ltd. are the property of their respective owners, and are used with permission or allowed under applicable laws.

Product offerings and specifications are subject to change without notice. Actual products may vary from photos. Not all products include all features. Availability varies by region; contact your sales representative.

**COPYRIGHT:** Under copyright laws, the contents of this manual may not be copied, photocopied, reproduced, translated or reduced to any electronic medium or machine-readable form, in whole or in part, without prior written consent of ©2019 Tyco Security Products. All rights reserved.

American Dynamics 6600 Congress Avenue  
Boca Raton, FL 33487 U.S.A.

[www.americandynamics.net](http://www.americandynamics.net)