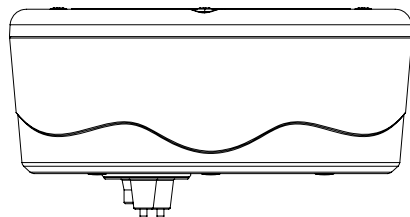
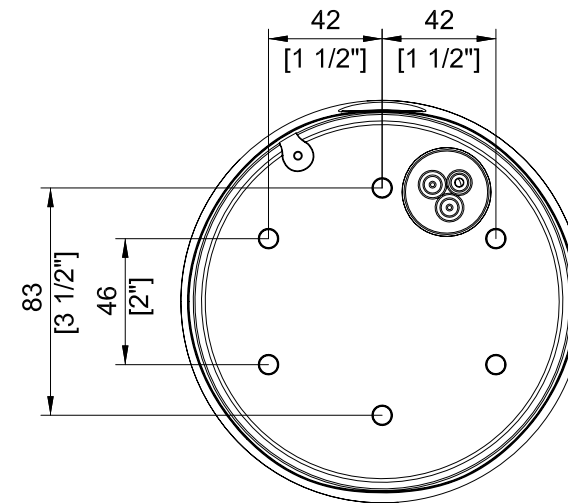
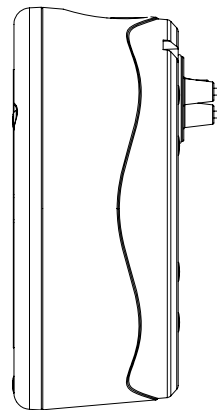
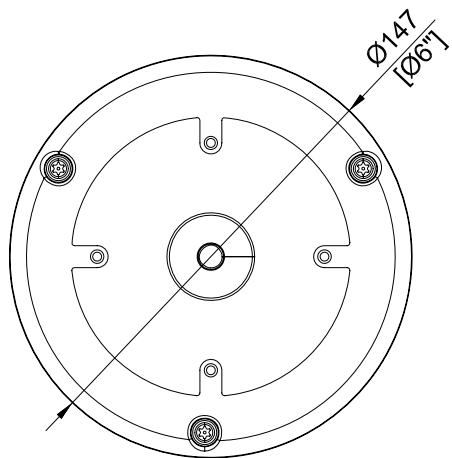
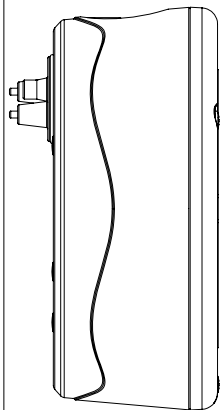


Part	Material	Color
Top Case	Metal	RAL 9003
Bottom Case	Metal	RAL 9003



General Notes

No.	Revision/Issue	Date

tyco

IFBMNTBOX

Project	Sheet
Date	
Scale	