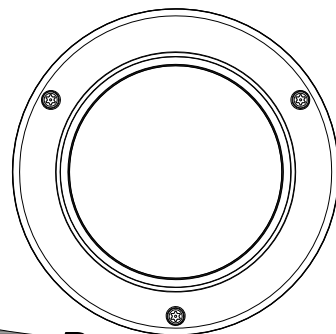
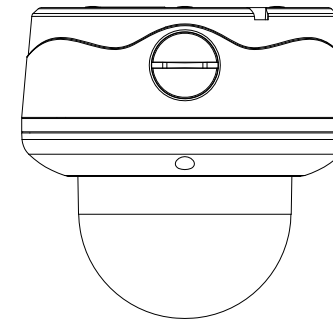
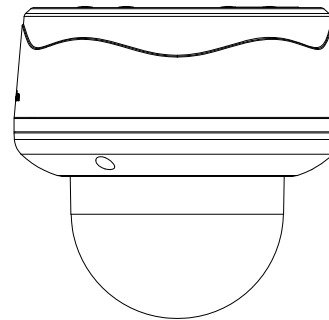
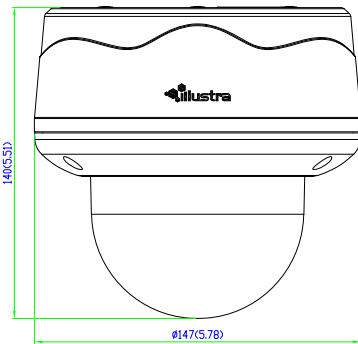
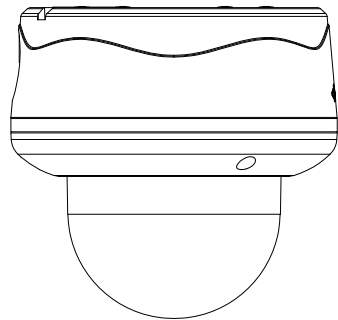
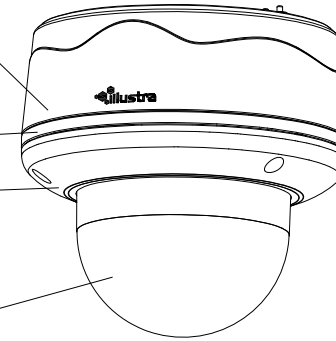


Part	Material	Color
Bottom case	Aluminum	RAL 9003

Part	Material	Color
Frame	Aluminum	RAL 9003

Part	Material	Color
Top case	Aluminum	RAL 9003

Part	Material	Color
Subtle	Plastic	Clear



UNIT : mm (Inch)

General Notes

No.	Revision/Issue	Date

tyco

ADCIX00F-D021x

Project	Sheet
Date	
Scale	