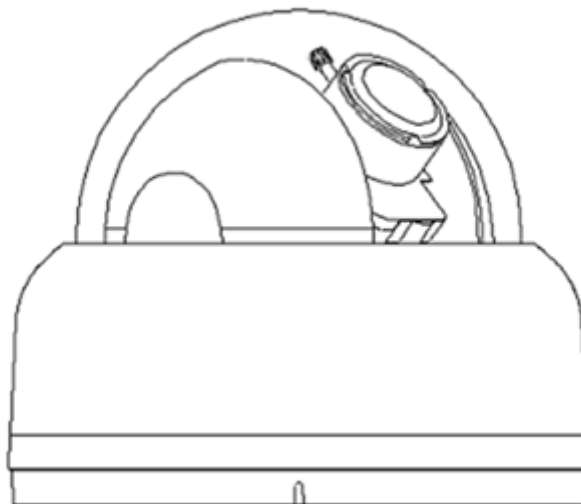




American Dynamics

From Tyco Security Products

Illustra Flex Series 1MP & 3MP Indoor Dome Quick Start Guide



Notice

Please read this manual thoroughly and save it for future use before attempting to connect or operate this unit.

The information in this manual was current when published. The manufacturer reserves the right to revise and improve its products. All specifications are therefore subject to change without notice.

Copyright

Under copyright laws, the contents of this manual may not be copied, photocopied, reproduced, translated or reduced to any electronic medium or machine-readable form, in whole or in part, without prior written consent of Tyco Security Products. © 2013 Tyco Security Products. All rights reserved.

American Dynamics
6600 Congress Avenue
Boca Raton, FL 33487 U.S.A.

Customer Service

Thank you for using American Dynamics products. We support our products through an extensive worldwide network of dealers. The dealer through whom you originally purchased this product is your point of contact if you need service or support. Our dealers are empowered to provide the very best in customer service and support. Dealers should contact American Dynamics at (800) 507-6268 or (561) 912-6259 or on the Web at www.americandynamics.net.

Trademarks

The trademarks, logos, and service marks displayed on this document are registered in the United States [or other countries]. Any misuse of the trademarks is strictly prohibited and Tyco Security Products. will aggressively enforce its intellectual property rights to the fullest extent of the law, including pursuit of criminal prosecution wherever necessary. All trademarks not owned by Tyco Security Products. are the property of their respective owners, and are used with permission or allowed under applicable laws.





Product offerings and specifications are subject to change without notice. Actual products may vary from photos. Not all products include all features. Availability varies by region; contact your sales representative.

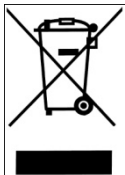
Table of Content

WARNING	4
Preface.....	5
1. Product Overview.....	6
1.1 Physical Characteristics.....	6
2. Installation and Connection	10
2.1 Unpack Everything.....	10
2.2 Installation	10
2.2.1 Checking Appearance	10
2.2.2 Disassembling the Camera	11
2.2.3 Connecting the wires.....	11
2.2.4 Mounting the camera.....	12
2.2.5 Adjusting the Position.....	13
2.2.6 Adjusting Zoom and Focus.....	14
2.2.7 Locking the camera	14
2.2.8 Network Topology.....	14
2.2.9 System Requirements.....	15
2.3 Connection	16
2.3.1 Default IP address.....	16
2.3.2 Connecting from a computer & Viewing Preparation	16
2.4 Using the illustra Connect Tool to Manage Cameras.....	20

WARNING

- This unit operates at DC 12V/ AC 24V/ PoE.
- Installation and service should be performed only by qualified and experienced technicians and comply with all local codes and rules to maintain your warranty.
- To reduce the risk of fire or electric shock, do not expose the product to rain or moisture.
- Wipe the camera with a dry soft cloth. For tough stains, slightly apply with diluted neutral detergent and wipe with a dry soft cloth.
- Do not apply benzene or thinner to the camera, which may cause the surface of the unit to be melted or lens to be fogged.
- Avoid aligning the lens to very bright objects (example, light fixtures) for long periods of time.
- Avoid operating or storing the unit in the following locations:
 - ✓ Extremely humid, dusty, or hot/cold environments (recommended operating temperature: -10°C to +50°C)
 - ✓ Close to sources of powerful radio or TV transmitters
 - ✓ Close to fluorescent lamps or objects with reflections
 - ✓ Under unstable or flickering light sources

	<p>CAUTION RISK OF ELECTRIC SHOCK DO NOT OPEN</p>			<p>THIS SYMBOL INDICATES THAT DANGEROUS VOLTAGE CONSTITUTING A RISK OF ELECTRIC SHOCK IS PRESENT WITHIN THE UNIT.</p>
<p>CAUTION: TO REDUCE THE RISK OF ELECTRIC SHOCK, DO NOT REMOVE THE COVER. NO USER-SERVICEABLE PARTS INSIDE. REFER SERVICING TO QUALIFIED SERVICE PERSONNEL.</p>			<p>THIS SYMBOL INDICATES THAT IMPORTANT OPERATING AND MAINTENANCE INSTRUCTIONS ACCOMPANY THIS UNIT.</p>	



WEEE (Waste Electrical and Electronic Equipment). Correct disposal of this product (applicable in the European Union and other European countries with separate collection systems). This product should be disposed of, at the end of its useful life, as per applicable local laws, regulations, and procedures.

Preface

This user manual is designed as a reference for the installation and manipulations of the unit including the camera's features, functions, and detailed explanation of the menu tree. The reader is supposed to be able to get following information in the manual.

Product Overview: the main functions and system requirements of the unit.

Installation and Connection: instructions on unit installation and wire connections.

Administration and Configuration: the main menu navigation and controls explanations.

1. Product Overview

1.1 Physical Characteristics

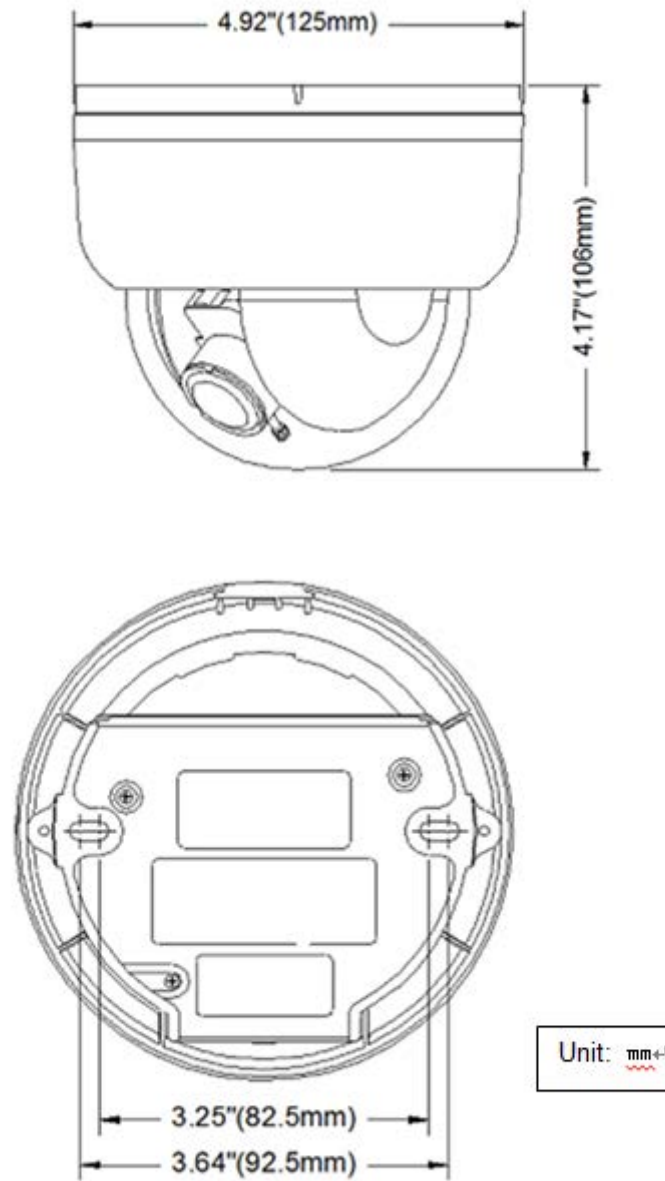


FIGURE 1-1: PHYSICAL DIMENSION

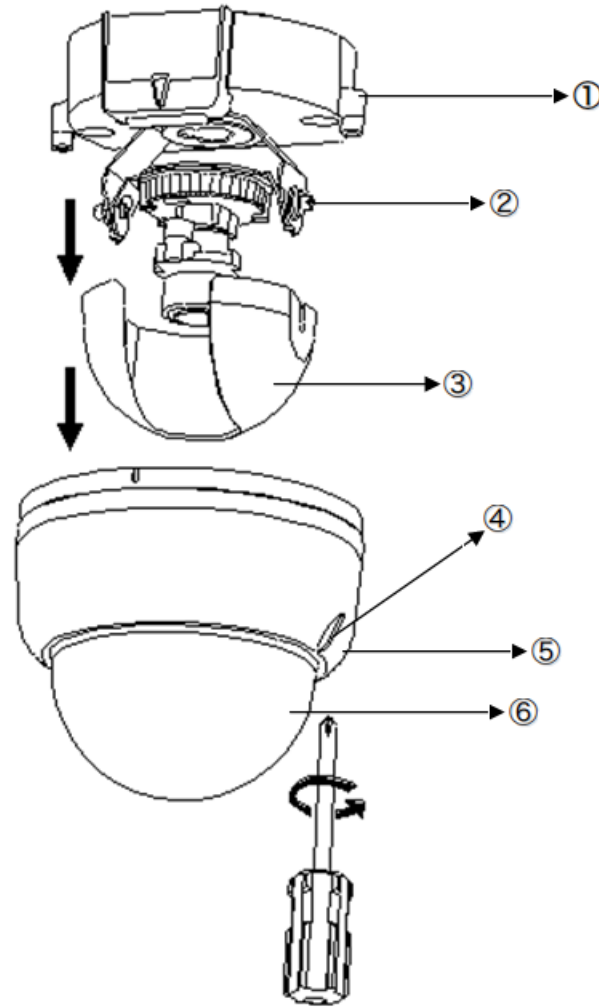


FIGURE 1-2: PICTORIAL INDEX

TABLE 1-1: PICTORIAL INDEX DEFINITION

Index #	Description
1	Camera bottom case
2	Tilt adjustment bracket and thumbnuts, notches(X2) Notches (x2)
3	Inner liner
4	Loosen the screw to take off camera housing
5	Camera housing
6	Dome cover

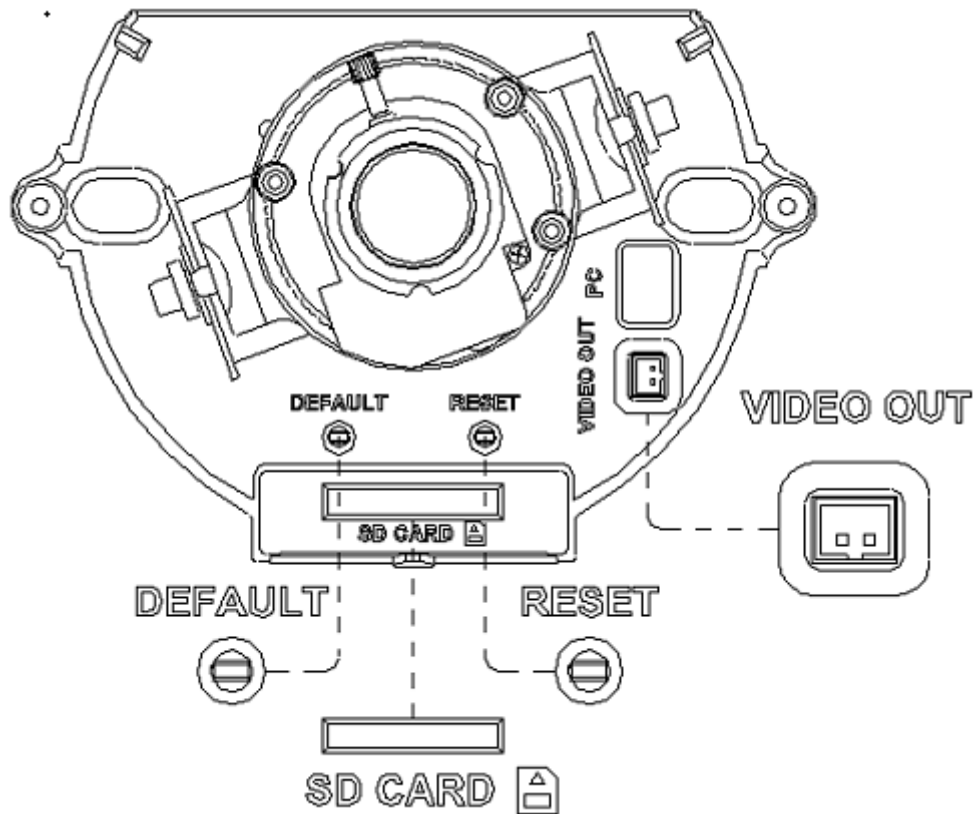




FIGURE 1-3: INTERIOR BUTTONS & INLETS

TABLE 1-2: INTERIOR BUTTONS DEFINITIONS 1/3

<p>DEFAULT </p> <p>RESET </p>	DEFAULT	To reset to factory default by pressing and holding the button for 5 seconds
	RESET	To reboot the unit

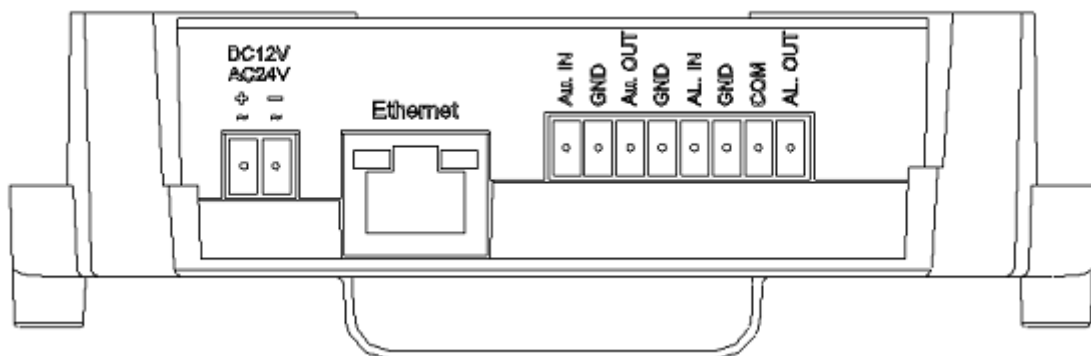


FIGURE 1-4: EXTERIOR INLETS

Note Connectors and field wiring terminals for external Class 2 circuits provided with marking indicating minimum Class of wiring to be used. Class 2 shall be marked adjacent to the field wiring terminals.

TABLE 1-3: EXTERIOR DEFINITION 2/3

	Au/I	Audio in
	GND	
	Au/O	Audio out
	GND	
	AI	Alarm in
	GND	
	AO	Alarm out
	GND	

TABLE 1-4: EXTERIOR DEFINITION 3/3

DC12V AC24V 	DC 12V	Network indoor dome camera can operate on DC 12V / AC 24V
	AC 24V	

2. Installation and Connection

2.1 Unpack Everything

Check everything in the packing box matches to the order form and the packing slip. In addition to this manual, items below are included in the packing box.

- One Network Indoor Dome Camera
- One 2-pin camera block for power input, and one 8-pin terminal block for alarm input/output
- One CD containing Illustra Connect, user manual and quick installation guide
- One printed quick installation guide
- One monitor out cable
- One mounting template
- Two screw anchors
- Two screws

Please contact your dealer if any item missing.

2.2 Installation

Following tools might help you complete the installation:

- a drill
- screwdrivers
- wire cutters

2.2.1 Checking Appearance

When first unboxing, please check whether if there is any visible damage to appearance of the unit and its accessories. The protective materials used for the packaging should be able to protect the unit from most of accidents during transportation.

Please remove the protective film of the unit when every item is checked in accordance with the list in [2.1 Unpacking Everything](#).

2.2.2 Disassembling the Camera

Please refer to the figure 2-1 for pictorial index. Gently press the button to take off camera off camera housing (4). Remove the inner liner (3) by gently pulling it free of the two notches (2) in the housing. Set the camera a housing (5) and inner liner (3) aside.

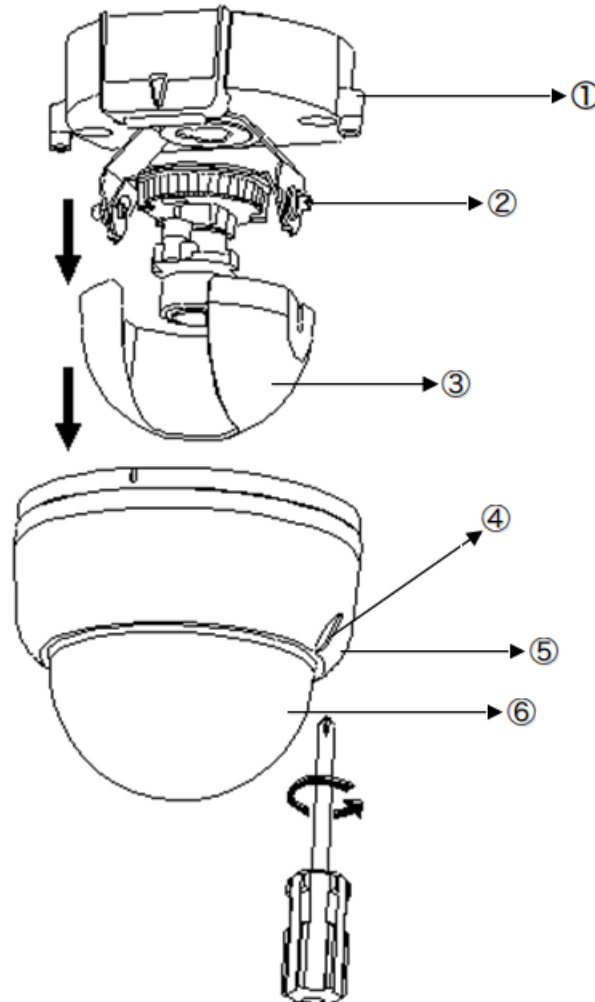


FIGURE 2-1: DISASSEMBLING THE CAMERA

2.2.3 Connecting the wires

This unit supports one of the following options as power supply.

- **DC 12V:** Connect 12V (–) to terminal =DC 12V–, and Connect 12V (+) to terminal =DC 12V+
- **AC 24V:** Connect 24V (~) cables to terminals ~AC 24V
- **PoE:** Connect the RJ-45 jack to a PoE compatible network device that supplied power through the Ethernet cable.

Insert Audio cable and alarm cable to the unit, and connect the network cable to the RJ-45 terminal of a switch.

Caution If using DC supply, make sure the polarity is correct. Incorrect connection may cause malfunction and/or damage to the unit.

2.2.4 Mounting the camera

Please place the mounting template as supplied on the mounting surface and mark the holes. Drill two holes, and then insert the screw anchors into the holes. Next, take off the camera housing. Connect the Safety Wire (fall prevention wire, not supplied) with one end to the ceiling and the other to the safety-cord screw of the unit.

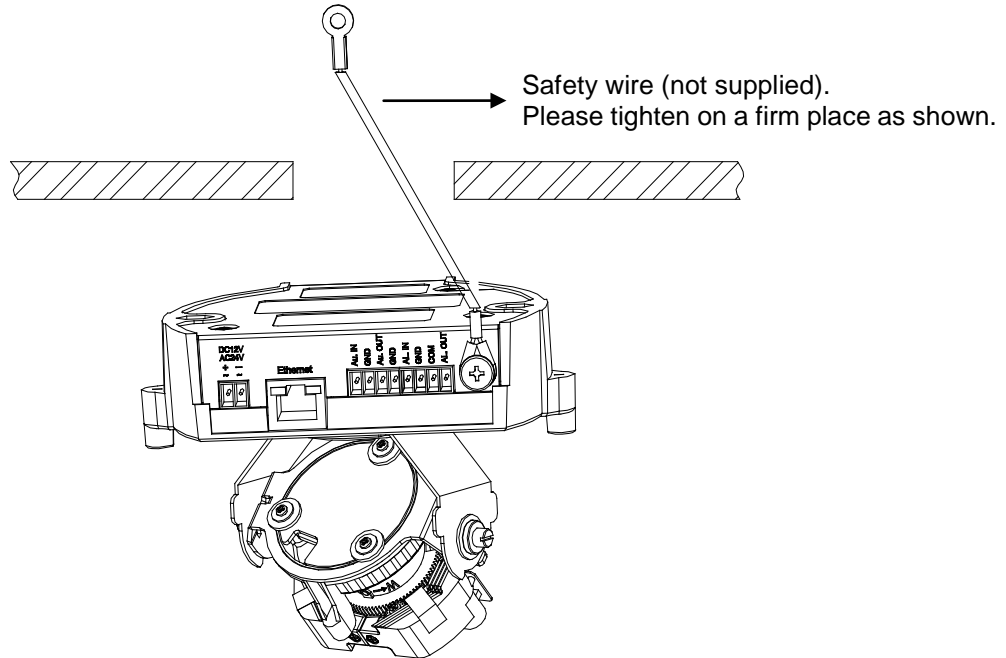


FIGURE 2-2: MOUNTING THE CAMERA 1/2

Refer to figure 2-3. Secure the camera bottom case to the wall/ceiling with the TP4x15 mm tapping screws as supplied, and then insert the power cable, network cable and audio cable. Adjust the viewing angel (zoom, focus, and Horizontal Rotation) as described in [2.2.5 Adjusting the Position](#).

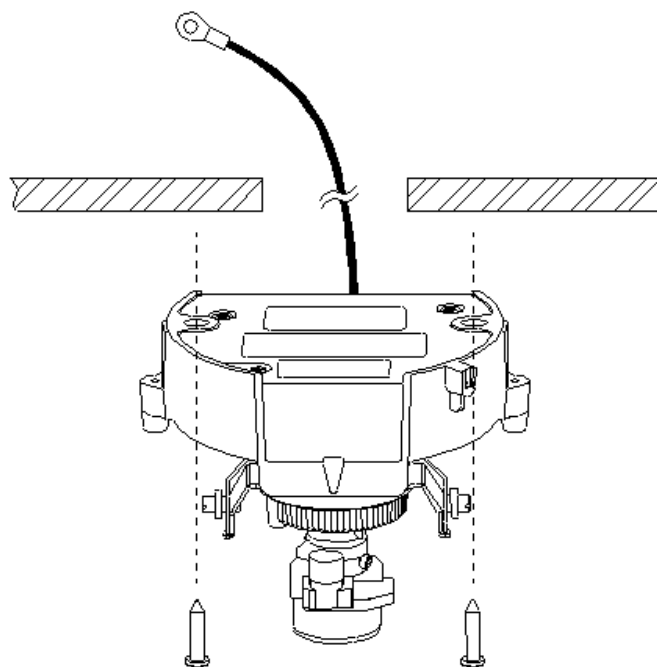


FIGURE 2-3: MOUNTING THE CAMERA 2/2

Warning Depending on the material of your mounting surface, you may require different screws and anchors than those as supplied. To prevent the unit from falling off, ensure that it is secured to a firm place (ceiling slab or channel) with a safety wire (not supplied) strong enough to sustain the total weight of the unit. (Pay also attention to the finishing at the end of the wire.) Never turn the lens more than 360°, which should disconnect or break internal cables.

Caution Safety wire must be connected with one end to the ceiling and the other to the safety-cord screw of the unit.

2.2.5 Adjusting the Position

The unit has three axes for positioning. While monitoring, adjust the position as below.

- **Pan Adjustment (A):** For Wall Mount and Tilted Ceilings Rotate the lens base (maximum 350°) until you are satisfied with the field of view.
- **Horizontal Rotation (B):** Rotate 3D assembly in the base. Do not turn assembly more than 350° as this assembly may cause the internal cables to twist and disconnect or break.
- **Tilt Adjustment (C):** After loosening the thumbnuts, position the camera as desired, then finger—tighten the thumbnuts to set the position.

- Caution** Limitation for three axes position:
- Pan range: $\pm 175^\circ$
 - Tilt range: $15^\circ \sim 90^\circ$
 - Rotate range: Manual Lens $\pm 180^\circ$ / Motorize Lens $\pm 175^\circ$

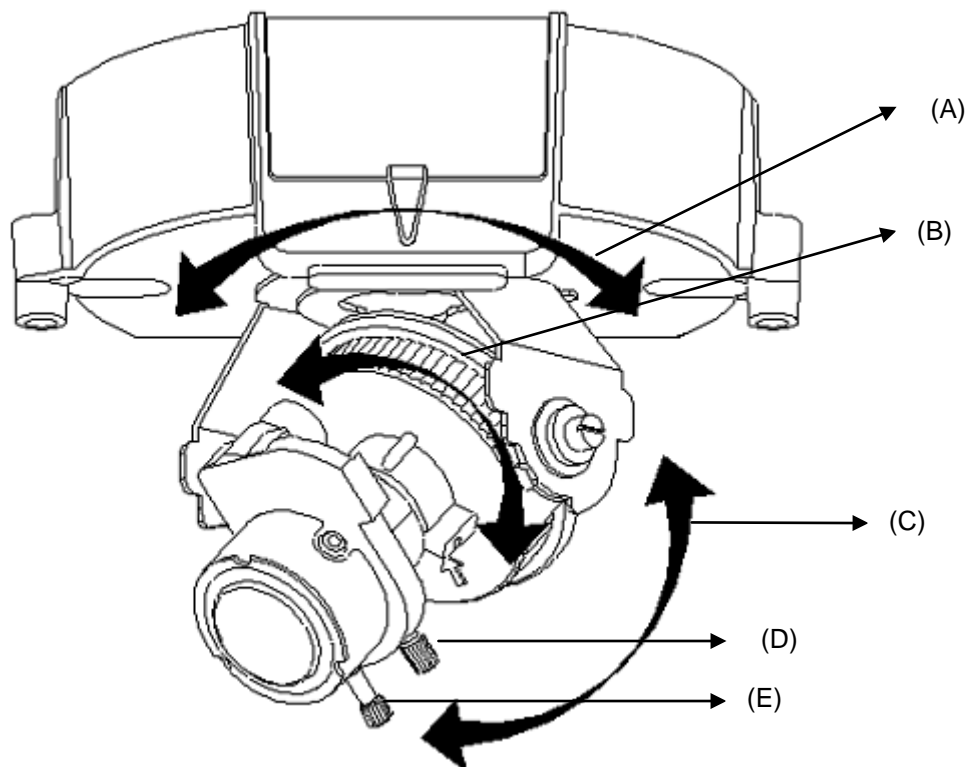


FIGURE 2-4: ADJUSTING THE POSITION

2.2.6 Adjusting Zoom and Focus

Loosen the zoom lever (D) / locking screw by turning it counter-clockwise. Rotate the zoom ring to achieve the desired picture. Loosen the focus lever (E) / locking screw by turning it counter-clockwise. Rotate the focus ring to adjust the focus. Repeat as required if further adjustments. When finished, retighten the zoom lever (D) / locking screw and the focus lever (E) / locking screw.

Caution Retighten the locking screws to prevent readjustments.

2.2.7 Locking the camera

Use soft, lint-free cloth to wipe the dome cover and remove fingerprints. Attach the inner liner and camera housing. Turn the power on after you have installed the unit.

2.2.8 Network Topology

The camera can deliver video images and audio in real time using the Internet and Intranet. It's equipped with Ethernet RJ-45 network interface.



FIGURE 2-5: NETWORK TOPOLOGY TYPE I

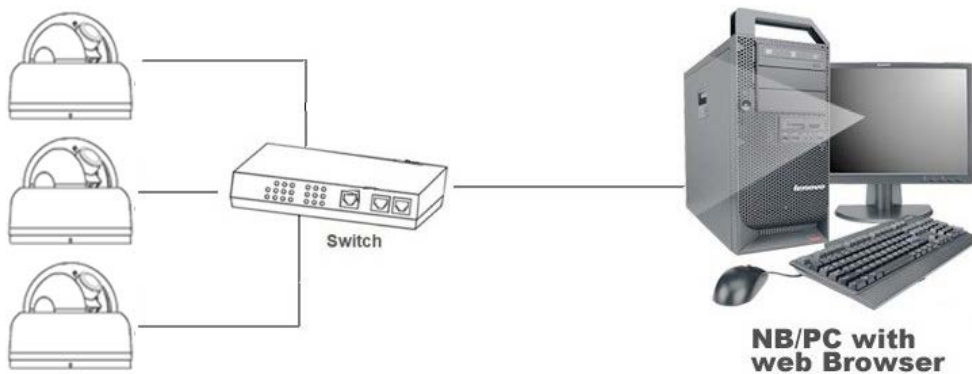


FIGURE 2-6: NETWORK TOPOLOGY TYPE II

2.2.9 System Requirements

Below table lists the minimum requirement to implement and operate a Illustra Flex Indoor Dome.

TABLE 2-1: SYSTEM REQUIREMENTS

System Hardware	
CPU	Intel Pentium 4 2.4GHz or equivalent
RAM	1 GB or above
Display	NVIDIA GeForce 6 Series or ATI Mobility Radeon 9500
System Software	
Operating System	Microsoft Windows XP, Windows Vista, or Windows 7
Browser	Microsoft Internet Explorer 8 or above
Unit	
Power Supply	DC 12V / AC 24V / PoE
Networking	
Wired*	10/100BASE-T Ethernet (RJ-45 connector)

**a switch is required for surveillance on multiple units.*

Note All the installation and operations should comply with your local electricity safety rules.

Caution To avoid damage to the unit, never connect more than one type of power supply (PoE IEEE802.3 Ethernet Class 0 or DC 12V / AC 24V power plug) at the same time. If using PoE, this unit must be connecting only to PoE networks without routing to heterogeneous devices.

2.3 Connection

2.3.1 Default IP address

Since this is a network-based unit, an IP address must be assigned at the very first. The unit's default IP address is **192.168.1.168** and sub mask is **255.255.255.0**. However, if you have a DHCP server in your network, the unit would obtain an IP address automatically from the DHCP server so that you don't need to change the camera's IP address. But be sure to enable DHCP in "Network/Basic settings".

2.3.2 Connecting from a computer & Viewing Preparation

2.3.2.1 Connecting from a computer

1. Make sure the unit and your computer are in the same subnet.
2. Check whether if the networking available between the unit and the computer by executing ping the default IP address. To do this, simply start a command prompt (Windows: from the Start Menu, select Program. Then select Accessories and choose Command Prompt.), and type "Ping 192.168.1.168". If the message "Reply from..." appears, it means the connection is available.
3. Start Internet Explorer and enter IP address: **192.168.1.168**. A login window should pop up. In the window, enter the default user name: **admin** and password: **admin** to log in.

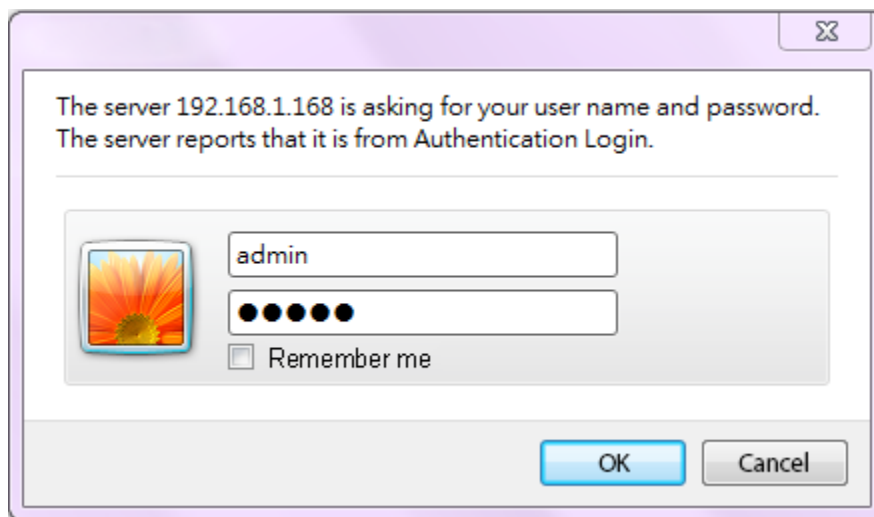


FIGURE 2-7: LOGIN WINDOW

2.3.2.2 Viewing Preparation

Images of the unit can be viewed through Microsoft Internet Explorer 8 or above. Before viewing, follow these steps to enable the display.

1. Enable Cookies as instructions below
 - In Internet Explorer, click **Internet Options** on the **Tools** menu.
 - On the **Privacy** tab, move the settings slider to **Low** or **Accept All Cookies**.
 - Click **OK**.
2. When a proxy server is used, click Internet Options on the Tools menus of Internet Explorer, select Connect tab, click LAN button, and set proxy server.
3. Change Security in Internet options as instructions below
 - On **Tools** menu, click **Internet Options**.
 - Press the **Security** tab.
 - If the camera operates inside of the intranet, click the **Intranet** icon.
 - If the camera operates outside of the intranet, click the **Internet** icon.
 - Click **Custom Level**. This will open the **Security Settings – Internet Zone** screen.

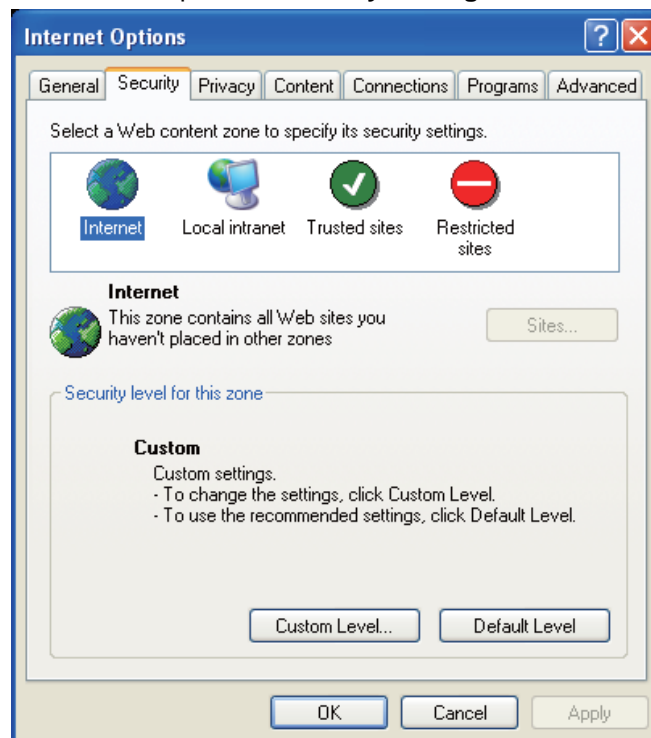


FIGURE 2-8: SECURITY SETTINGS 1/4

- Scroll down to the ActiveX controls and plug-ins radio buttons and set as follows:
 - 【Download signed ActiveX controls】 → Prompt (recommended)
 - 【Download unsigned ActiveX controls】 → Prompt
 - 【Initialize and script ActiveX not marked as safe for scripting】 → Prompt

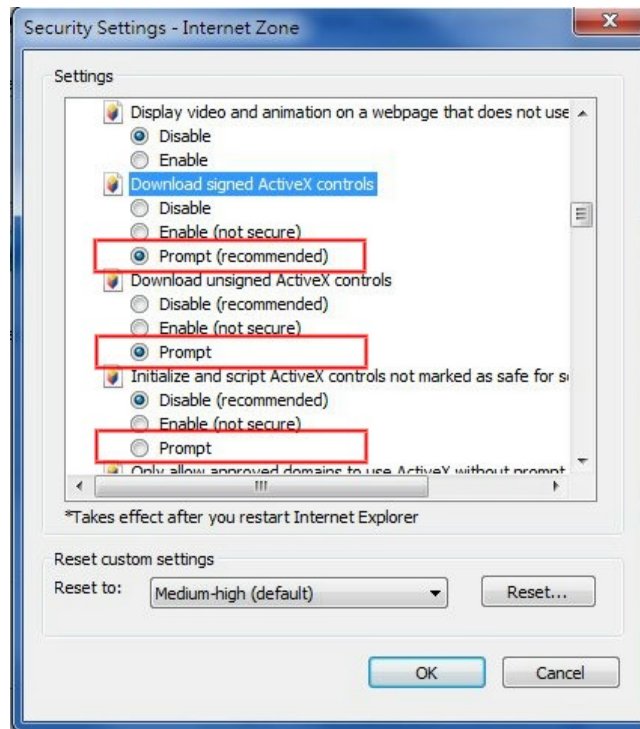


FIGURE 2-9: SECURITY SETTINGS 2/4

- 【Automatic prompting for ActiveX controls】 → Enable

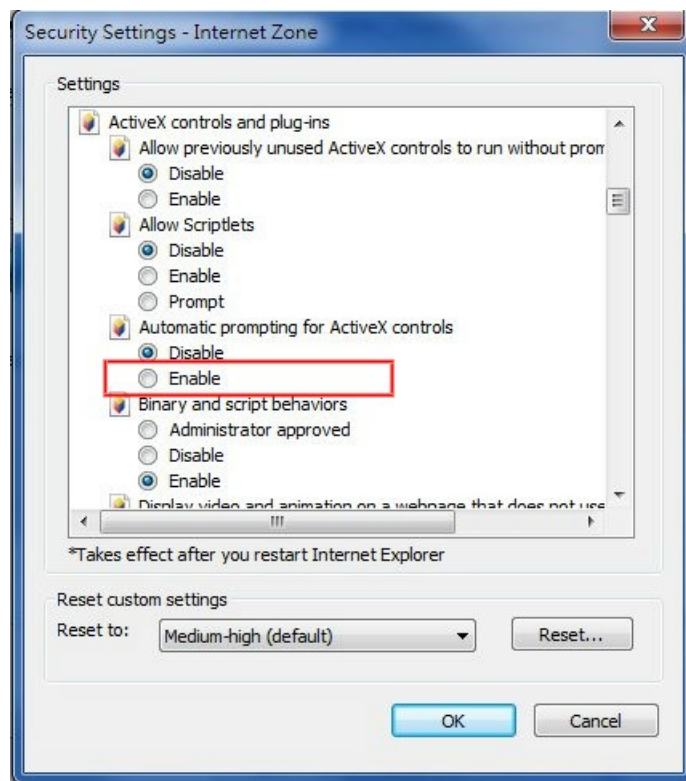


FIGURE 2-10: SECURITY SETTINGS 3/4

【Run ActiveX controls and plug-ins】 → Enable

【Script ActiveX controls marked safe for scripting*】 → Enable

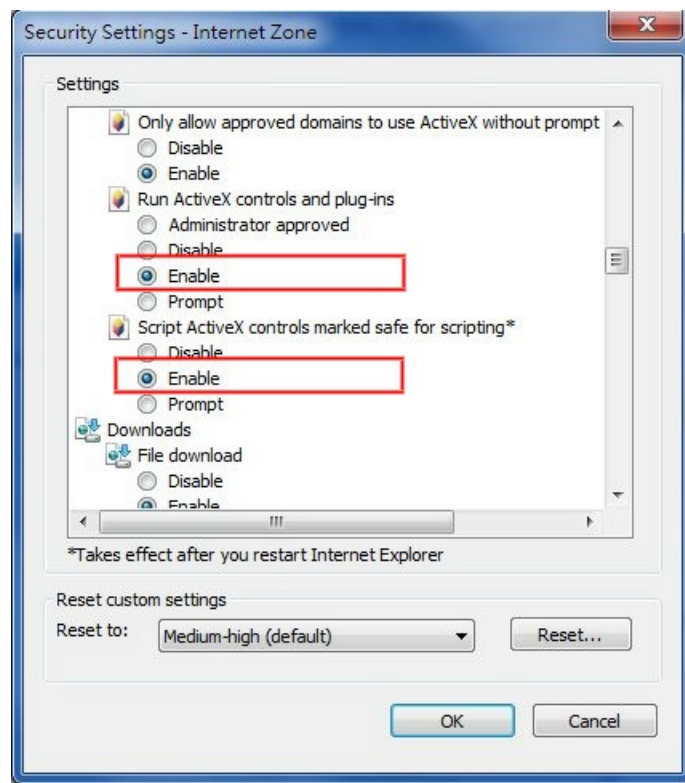


FIGURE 2-11: SECURITY SETTINGS 4/4

- Press OK to save the settings.
- Close all Microsoft Internet Explorer Windows and restart a new window. This will allow the new settings taking effect.
- Type your setting IP address into the browser.
- Then you should be able to see the camera image screen.

2.4 Using the illustra Connect Tool to Manage Cameras

In addition to using the IE browser to access your camera, you can alternatively use the provided tool, illustra Connect.

illustra Connect is a management tool designed to manage your network cameras on the LAN. It can:

- help you find multiple network cameras
- set the IP addresses
- show connection status
- manage firmware upgrades

For further information on Illustra Connect, refer to the Illustra Connect User Guide, located on the CD supplied.