



**Illustra Essentials**  
**Indoor HD Mini Dome**  
**Quick Start Guide**

## Notice

Please read this manual thoroughly and save it for future use before attempting to connect or operate this unit.

The information in this manual was current when published. The manufacturer reserves the right to revise and improve its products. All specifications are therefore subject to change without notice.

## Copyright

Under copyright laws, the contents of this manual may not be copied, photocopied, reproduced, translated or reduced to any electronic medium or machine-readable form, in whole or in part, without prior written consent of Tyco Security Products. © 2015 Tyco Security Products. All rights reserved.

## Customer Service

Thank you for using Tyco Security Products. We support our products through an extensive worldwide network of dealers. The dealer through whom you originally purchased this product is your point of contact if you need service or support. Our dealers are empowered to provide the very best in customer service and support. Dealers should contact Tyco Security Products at (800) 507-6268 or (561) 912-6259 or on the Web at [www.illustraessentials.com](http://www.illustraessentials.com).

## Trademarks

The trademarks, logos, and service marks displayed on this document are registered in the United States [or other countries]. Any misuse of the trademarks is strictly prohibited and Tyco Security Products. will aggressively enforce its intellectual property rights to the fullest extent of the law, including pursuit of criminal prosecution wherever necessary. All trademarks not owned by Tyco Security Products. are the property of their respective owners, and are used with permission or allowed under applicable laws.

Product offerings and specifications are subject to change without notice. Actual products may vary from photos. Not all products include all features. Availability varies by region; contact your sales representative.

# Important Safeguards and Warnings

---

## 1. Electrical safety

All installation and operation should conform to your local electrical safety codes.

The power shall conform to the requirement in the SELV (Safety Extra Low Voltage) and the Limited power source is rated 12V DC or 24V AC in the IEC60950-1. (Refer to general introduction)

Please note: Do not connect two power supplying sources to the device at the same time; it may result in device damage! The product must be grounded to reduce the risk of electronic shock.

We assume no liability or responsibility for all the fires or electrical shock caused by improper handling or installation.

We are not liable for any problems caused by unauthorized modification or attempted repair.

## 2. Transportation security

Heavy stress, violent vibration or water splash are not allowed during transportation, storage and installation.

## 3. Installation

Do not apply power to the camera before completing installation.

Please install the proper power cut-off device during the installation connection.

Always follow the instruction guide the manufacturer recommended.

## 4. Qualified engineers needed

All the examination and repair work should be done by the qualified service engineers.

We are not liable for any problems caused by unauthorized modifications or attempted repair.

## 5. Environment

This series network camera should be installed in a cool, dry place away from direct sunlight, inflammable, explosive substances and etc.

Please keep it away from the electromagnetic radiation object and environment.

Please make sure the CCD (CMOS) component is out of the radiation of the laser beam device. Otherwise it may result in CCD (CMOS) optical component damage.

Please keep the sound ventilation.

Do not allow the water and other liquid falling into the camera.

Thunder-proof device is recommended to be adopted to better prevent thunder.

The grounding studs of the product are recommended to be grounded to further enhance the reliability of the camera.

## 6. Daily Maintenance

Please shut down the device and then unplug the power cable before you begin daily maintenance work.

Do not touch the CCD (CMOS) optic component. You can use the blower to clean the dust on the lens surface.

Always use the dry soft cloth to clean the device. If there is too much dust, please use the water to dilute the mild detergent first and then use it to clean the device. Finally use the dry cloth to clean the device.

Please put the dustproof cap to protect the CCD (CMOS) component when you do not use the camera.

Dome enclosure is the optical component, do not touch the enclosure when you are installing the device or clean the enclosure when you are doing maintenance work. Please use professional optical clean method to clean the enclosure. Improper enclosure clean method (such as use cloth) may result in poor IR effect of camera with IR function.

## 7. Accessories

Be sure to use all the accessories recommended by manufacturer.

Before installation, please open the package and check all the components are included.

Contact your local retailer ASAP if something is broken in your package.

Accessory Name	Amount
Network Camera Unit	1
Quick Start Guide	1
Installation Accessories Bag	1
CD	1

# Table of Contents

---

Important Safeguards and Warnings .....	2
Table of Contents .....	4
Framework .....	5
Structure .....	5
Dimensions .....	6
Device Installation .....	8
Quick Configuration Tool.....	10
Overview.....	10
Operation.....	10
Web Operation .....	12
Network Connection .....	12
Login and Main Interface.....	12
Appendix Toxic or Hazardous Materials or Elements.....	14

## Structure

Please refer to the following figure for detailed information. See Figure 1-1.

**Note:**

Figures in this chapter are for reference only. Different product models may refer to different figures. Please use figure (a) or (b) according to the actual product.

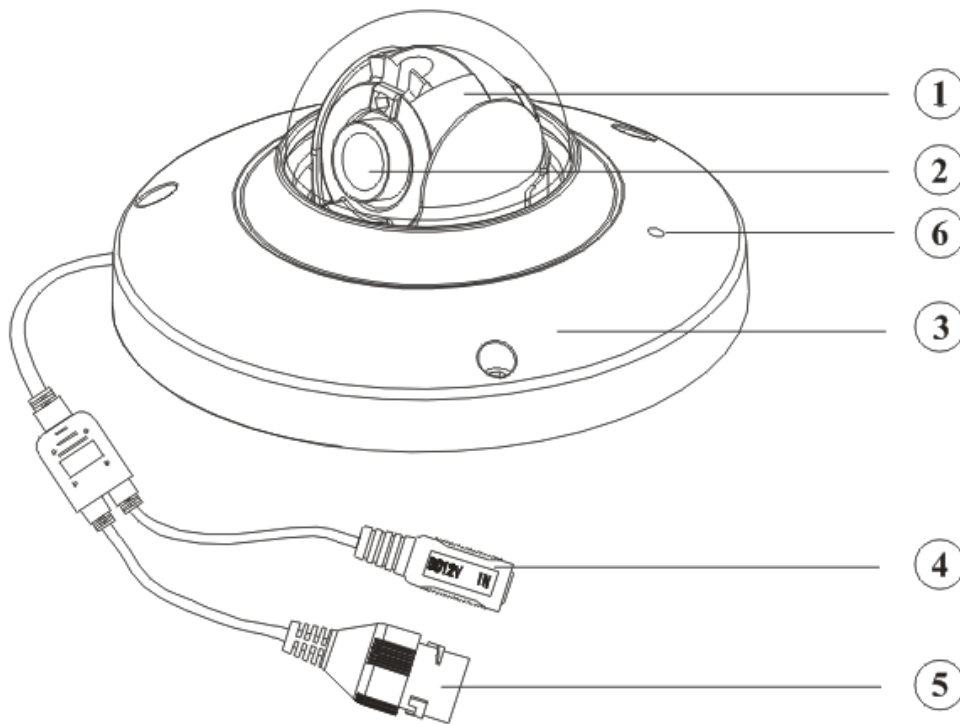


Figure 1-1

Please refer to the following sheet for detailed structure information.

SN	Name
1	X-Y-Z rotation module
2	Device lens
3	Dome camera enclosure

Please refer to the following sheet for detailed port information.

SN	Name	Function
4	Power input port	Connect to the DC 12+ power to input the power.

5	Network port	Network data input, output and PoE. Note: <ul style="list-style-type: none"> <li>● Some devices do not support PoE.</li> <li>● Before making crystal head, pull the anti-dust, waterproof cover through network cable.</li> </ul>
6	MIC hole	Audio input

## Dimensions

Please refer to the following figure for the dimension information. The unit is mm. See Figure 1-2 through Figure 1-.

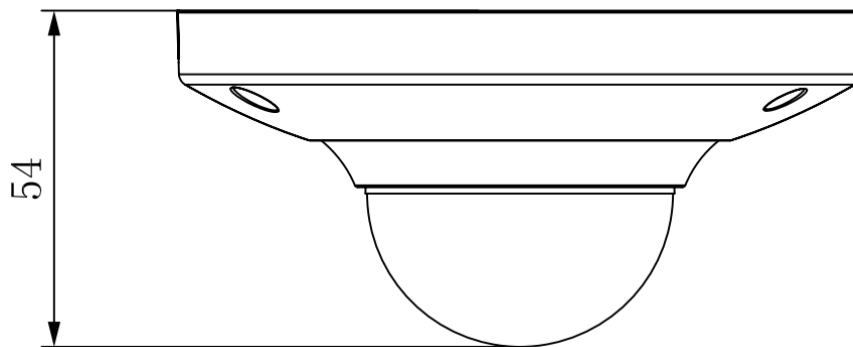


Figure 1-2 Dimension illustration 1

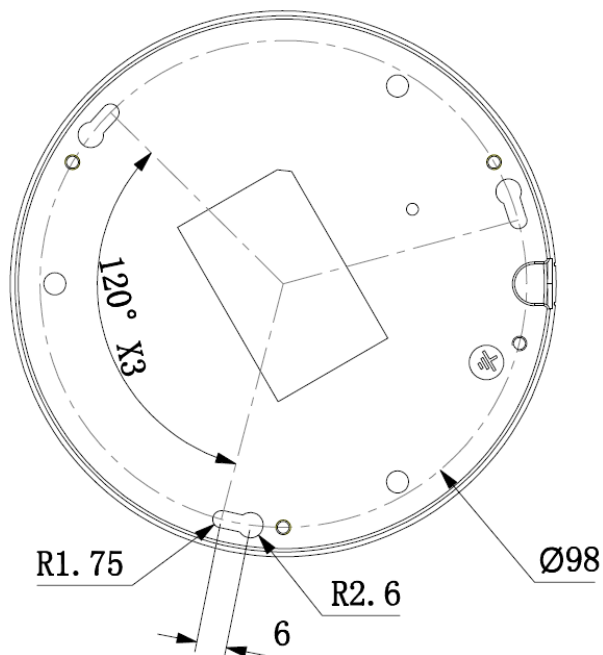


Figure 1-3 Dimension illustration 2

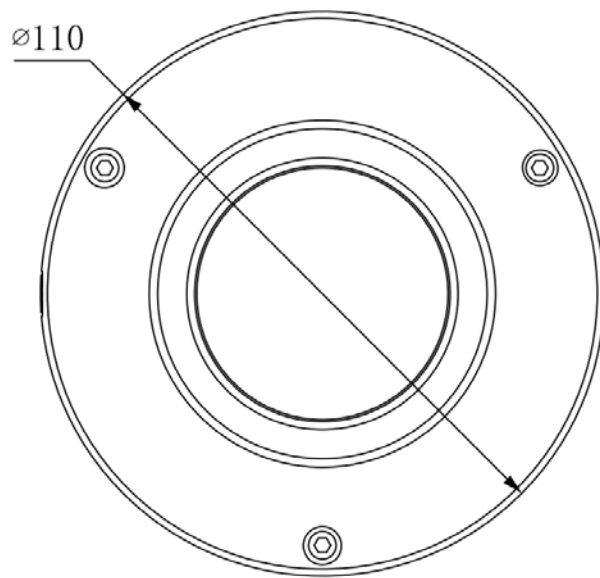


Figure 1-4 Dimension illustration 3



# Device Installation

## Note

Before the installation, please make sure the installation environments can at least support 3x weight of the camera.

Please refer to the steps listed below.

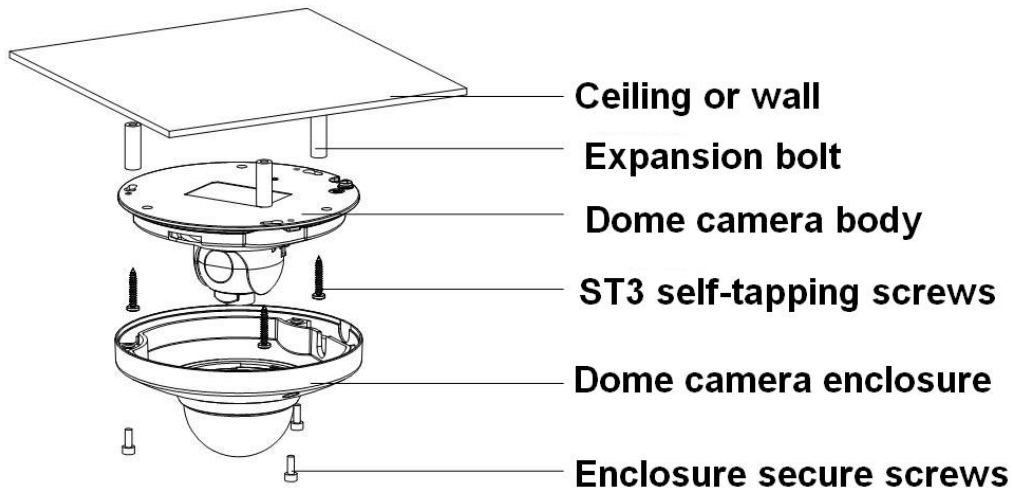


Figure 2-1 Device installation illustration 1

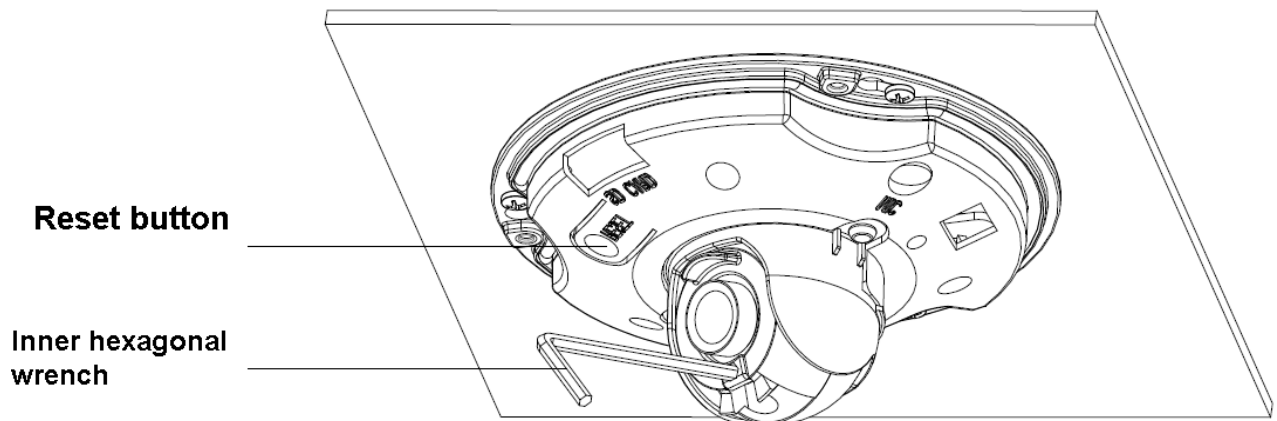


Figure 2-2 Device installation illustration 2

## Step1

Use the inner hexagonal wrench (provided) to loose the three inner hexagon screws in the dome cover and then open the cover.

## Step 2

Please take the installation map in the accessories bag, and then paste it on the ceiling or the wall according to your monitor area requirements.

### Step 3

Draw and then dig three plastic expansion bolts holes on ceiling or other installation surface and then insert three expansion bolts in the holes. Secure these three bolts firmly.

#### Note

---

Please make a “cable exit hole” in the surface according to the installation map if you want to draw out the cable from the top of the installation surface.

You need to use the proper tool to open up the side port of the U-cable channel of the dome camera pedestal if you want to draw out the cable from the side port of the cable channel when you are installing the device cable. And then you can draw out the cable from the cable channel of the pedestal.

---

### Step 4

Adjust the device installation pedestal to the proper position and then draw the cable through the cable exit you just dug in the ceiling (wall). Line up the TOP direction of the device to the installation map and then line up the three screw holes in the device pedestal to the three plastic expansion bolt holes in the installation position. Put the three self-tapping screws in the three plastic expansion bolts firmly. Now the dome camera is secure in the installation surface.

### Step 5

Loosen the two M3 secure screws of the lens rotation structure (Do not remove, loosen a little bit will be OK.). Use the inner hexagonal wrench to insert them to the inner hexagonal holes and then use the wrench to turn the lens. Adjust the lens to the proper monitor angle and then secure the screws of the lens rotation structure. The lens adjust angle ranges are: flip ( $0^{\circ}\sim+75^{\circ}$ ), video pan rotation ( $-15^{\circ}\sim+15^{\circ}$ ), video rotation angle ( $-15^{\circ}\sim+15^{\circ}$ ).

### Step 6

Line up the dome camera cover to the cable exits and put the cover back. Use the inner hexagonal wrench to secure the three inner hexagonal screws firmly. Now the installation completed.

#### Note

---

o restore default settings of device, open device front cover, and press Reset button in Figure 2-2 with power on for 10s.

To use WPS function of device, open device front cover, and press Reset button in Figure 2-2 with power on for 1-2 seconds, then press the WPS button of the router, generally the device will connect to corresponding router within one minute (supported by some series)

---

# Quick Configuration Tool

## Overview

Quick configuration tool can search current IP address, modify IP address. At the same time, you can use it to upgrade the device.

Please note the tool only applies to the IP addresses in the same segment.

## Operation

Double click the “ConfigTools.exe” icon, you can see an interface is shown as in Figure 3-1.

In the device list interface, you can view device IP address, port number, subnet mask, default gateway, MAC address and etc.

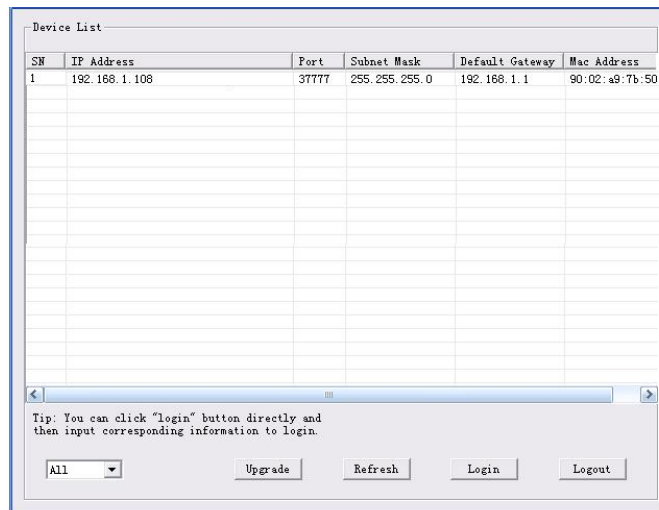


Figure 3-1 Search interface

Select one IP address and then right click mouse, you can see an interface is shown as in Figure 3-2.

Select the “Open Device Web” item; you can go to the corresponding web login interface.

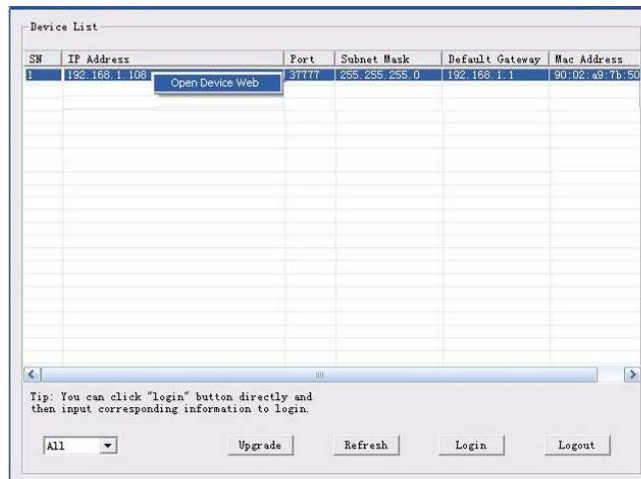


Figure 3-2 Search interface 2

If you want to modify the device IP address without logging in the device web interface, you can go to the configuration tool main interface to set.

In the configuration tool search interface (Figure 3-1), please select a device IP address and then double click it to open the login interface. Or you can select an IP address and then click the Login button to go to the login interface. See Figure 3-3.

In Figure 3-3, you can view device IP address, user name, password and port. Please modify the corresponding information to login.

Please note the port information here shall be identical with the port value you set in TCP port in Web Network interface. Otherwise, you cannot login the device.

If you are using device background upgrade port 3800 to login, other setups are all invalid.

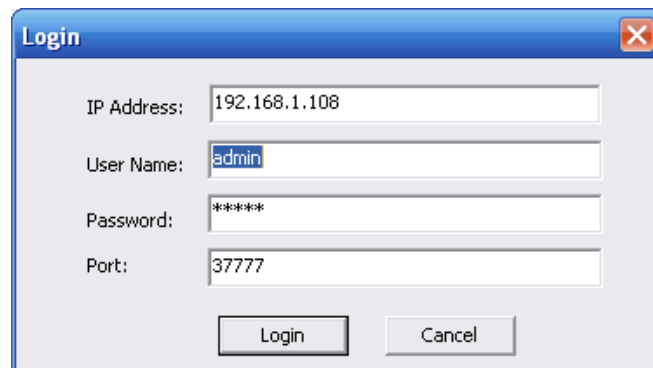
A screenshot of a 'Login' dialog box. The dialog has a title bar with 'Login' and a close button. It contains four input fields: 'IP Address' with '192.168.1.108', 'User Name' with 'admin', 'Password' with '\*\*\*\*\*', and 'Port' with '37777'. At the bottom, there are two buttons: 'Login' and 'Cancel'.

Figure 3-3 Login prompt

After you logged in, the configuration tool main interface is shown as below. See Figure 3-4.

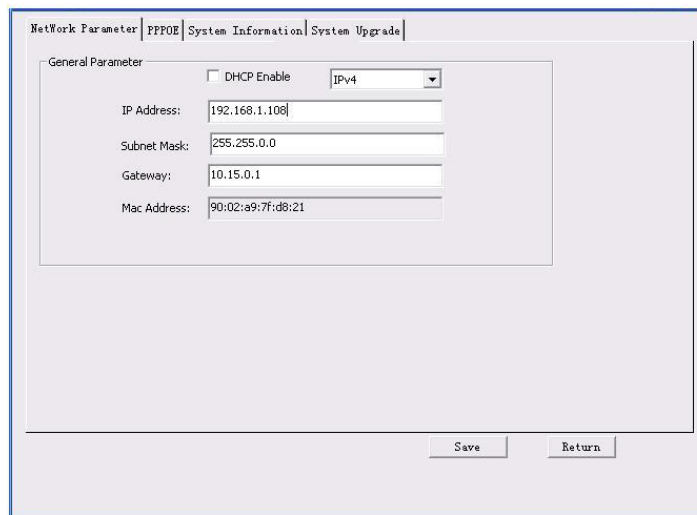
A screenshot of the main configuration tool interface. The top navigation bar includes 'Network Parameter', 'PPPOE', 'System Information', and 'System Upgrade'. The 'Network Parameter' section is active, showing a 'General Parameter' sub-section. It includes a 'DHCP Enable' checkbox (unchecked) and a 'IPv4' dropdown menu. Below these are input fields for 'IP Address' (192.168.1.108), 'Subnet Mask' (255.255.0.0), 'Gateway' (10.15.0.1), and 'Mac Address' (90:02:a9:7f:d8:21). At the bottom right, there are 'Save' and 'Return' buttons.

Figure 3-4 Main interface

# Web Operation

---

This series network camera products support the Web access and management via PC.

Web includes several modules: Monitor channel preview, system configuration, alarm and etc.

## Network Connection

Please follow the steps listed below for network connection.

- Make sure the network camera has connected to the network properly.
- DHCP is enabled by default.
- Please set the IP address, subnet mask and gateway of the PC and the network camera respectively. Network camera default IP address is 192.168.1.168. Subnet mask is 255.255.255.0. Gateway is 0.0.0.0
- Use order ping `***.***.***.***`(\* network camera address) to check connection is OK or not.

## Login and Main Interface

Open IE and input network camera address in the address bar. See Figure 4- 1.

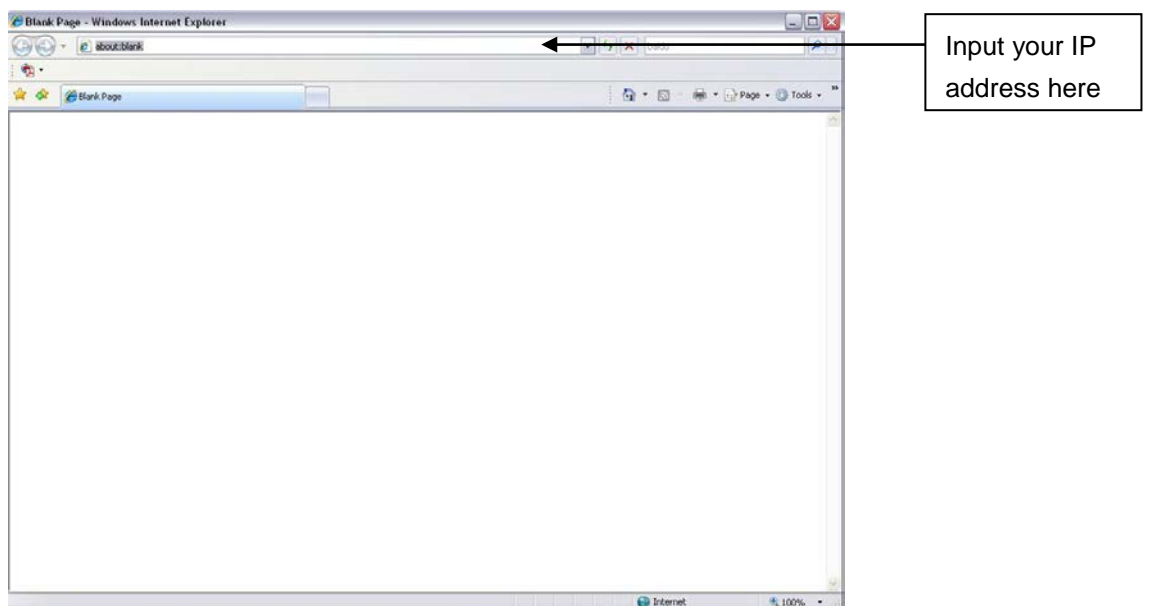


Figure 4- 1 IP address

The login interface is shown as below. See Figure 4- 2.

Please input your user name and password.

Default factory name is admin and password is admin.

### Note

---

For security reasons, please modify your password after you first login.

---



Figure 4- 2 Web login

After you successfully logged in, please install WEB plug-in unit. Please refer to the Web Operation Manual included in the resource CD for detailed operation instruction.

See Figure 4- 3.

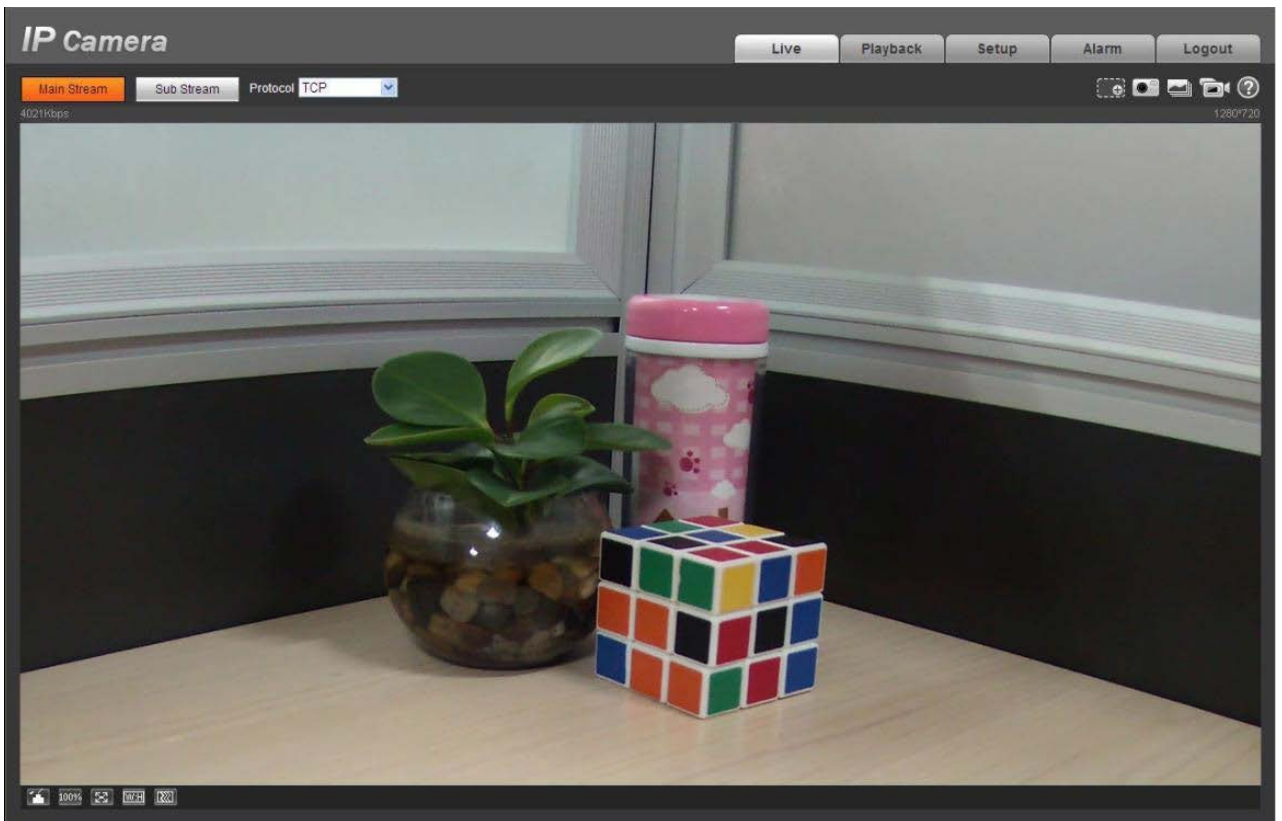


Figure 4- 3 Web monitoring window

# Appendix

## Toxic or Hazardous Materials or Elements

---

Component Name	Toxic or Hazardous Materials or Elements					
	Pb	Hg	Cd	Cr VI	PBB	PBDE
Circuit Board Component	○	○	○	○	○	○
Device Construction Material	○	○	○	○	○	○
Wire and Cable	○	○	○	○	○	○
Packing Components	○	○	○	○	○	○
Accessories	○	○	○	○	○	○

O: Indicates that the concentration of the hazardous substance in all homogeneous materials in the parts is below the relevant threshold of the SJ/T11363-2006 standard.

X: Indicates that the concentration of the hazardous substance of at least one of all homogeneous materials in the parts is above the relevant threshold of the SJ/T11363-2006 standard. During the environmental-friendly use period (EFUP) period, the toxic or hazardous substance or elements contained in products will not leak or mutate so that the use of these (substances or elements) will not result in any severe environmental pollution, any bodily injury or damage to any assets. The consumer is not authorized to process such kind of substances or elements, please return to the corresponding local authorities to process according to your local government statutes.

### Note

- 
- This user's manual is for reference only. Slight difference may be found in user interface.
  - All the designs and software here are subject to change without prior written notice.
  - All trademarks and registered trademarks mentioned are the properties of their respective owners.
  - If there is any uncertainty or controversy, please refer to the final explanation of us.
  - Please visit our website for more information.
-