



**Illustra Essentials**  
**HD IR Vari-Focal Bullet Network Camera**  
**Quick Start Guide**

## Notice

Please read this manual thoroughly and save it for future use before attempting to connect or operate this unit.

The information in this manual was current when published. The manufacturer reserves the right to revise and improve its products. All specifications are therefore subject to change without notice.

## Copyright

Under copyright laws, the contents of this manual may not be copied, photocopied, reproduced, translated or reduced to any electronic medium or machine-readable form, in whole or in part, without prior written consent of Tyco Security Products. © 2016 Tyco Security Products. All rights reserved.

## Customer Service

Thank you for using Tyco Security Products. We support our products through an extensive worldwide network of dealers. The dealer through whom you originally purchased this product is your point of contact if you need service or support. Our dealers are empowered to provide the very best in customer service and support. Dealers should contact Tyco Security Products at (800) 507-6268 or (561) 912-6259 or on the Web at [www.illustraessentials.com](http://www.illustraessentials.com).

## Trademarks

The trademarks, logos, and service marks displayed on this document are registered in the United States [or other countries]. Any misuse of the trademarks is strictly prohibited and Tyco Security Products. will aggressively enforce its intellectual property rights to the fullest extent of the law, including pursuit of criminal prosecution wherever necessary. All trademarks not owned by Tyco Security Products. are the property of their respective owners, and are used with permission or allowed under applicable laws.

Product offerings and specifications are subject to change without notice. Actual products may vary from photos. Not all products include all features. Availability varies by region; contact your sales representative.

## Manufacture

Tyco Security Products  
6600 Congress Avenue  
Boca Raton, FL 33487 U.S.A

# Important Safeguards and Warnings

---

## 1 . Electrical safety

All installation and operation should conform to your local electrical safety codes.

The power shall conform to the requirement in the SELV (Safety Extra Low Voltage) and the Limited power source is rated 12V DC or 24V AC in the IEC60950-1. (Refer to general introduction)

---

### **CAUTION:**

Do not connect two power supplying sources to the device at the same time; it may result in device damage! The product must be grounded to reduce the risk of electronic shock.

---

We assume no liability or responsibility for all the fires or electrical shock caused by improper handling or installation.

We are not liable for any problems caused by unauthorized modification or attempted repair.

## 2 . Transportation security

Heavy stress, violent vibration or water splash are not allowed during transportation, storage and installation.

## 3 . Installation

Do not apply power to the camera before completing installation.

Please install the proper power cut-off device during the installation connection.

Always follow the instruction guide the manufacturer recommended.

## 4 . Qualified engineers needed

All the examination and repair work should be done by the qualified service engineers.

We are not liable for any problems caused by unauthorized modifications or attempted repair.

## 5 . Environment

This series network camera should be installed in a cool, dry place away from direct sunlight, inflammable, explosive substances and etc.

Please keep it away from the electromagnetic radiation object and environment.

Please make sure the CCD (CMOS) component is out of the radiation of the laser beam device. Otherwise it may result in CCD (CMOS) optical component damage.

Please keep the sound ventilation.

Do not allow the water and other liquid falling into the camera.

Thunder-proof device is recommended to be adopted to better prevent thunder.

The grounding studs of the product are recommended to be grounded to further enhance the reliability of the camera.

## 6. Daily Maintenance

Please shut down the device and then unplug the power cable before you begin daily maintenance work.

Do not touch the CCD (CMOS) optic component. You can use the blower to clean the dust on the lens surface.

Always use the dry soft cloth to clean the device. If there is too much dust, please use the water to dilute the mild detergent first and then use it to clean the device. Finally use the dry cloth to clean the device.

Please put the dustproof cap to protect the CCD (CMOS) component when you do not use the camera.

Dome enclosure is the optical component, do not touch the enclosure when you are installing the device or clean the enclosure when you are doing maintenance work. Please use professional optical clean method to clean the enclosure. Improper enclosure clean method (such as use cloth) may result in poor IR effect of camera with IR function.

## 7. Accessories

Be sure to use all the accessories recommended by manufacturer.

Before installation, please open the package and check all the components are included.

Contact your local retailer ASAP if something is broken in your package.

Accessory Name	Amount
Network Camera Unit	1
Quick Start Guide	1
Installation Accessories Bag	1
CD	1

# Table of Contents

---

Important Safeguards and Warnings .....	3
Structure.....	6
Components .....	6
Device External Cable.....	6
Framework and Dimension .....	6
Device Installation .....	8
Installation Steps .....	8
Quick Configuration Tool .....	11
Overview .....	11
Operation.....	11
Web Operation.....	13
Network Connection .....	13
Login and Main Interface.....	13
Appendix Toxic or Hazardous Materials or Elements.....	15

## Components

### Device External Cable

Refer to Figure 1 for cable information.

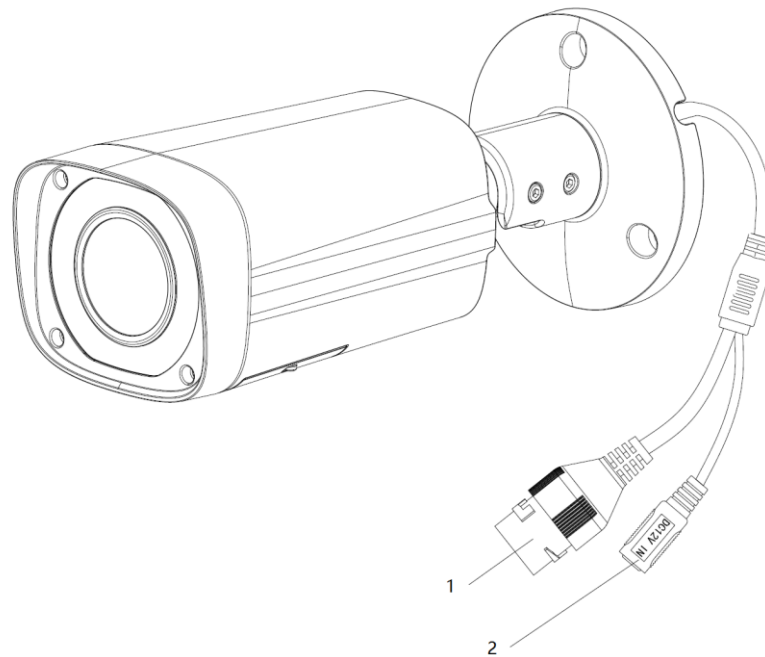


Figure 1

Please refer to the following sheet for detailed information.

SN	Port	Port Name	Connection	Note
1	LAN	Network port	Ethernet port	Connect to standard Ethernet cable. Note: Before making crystal head, pull the anti-dust cover (default), waterproof cover (optional) through network cable.
2	DC 12V	Power input port	-	Power port. Input DC 12V.

## Framework and Dimension

Please refer to the following figures for dimension information. The unit is mm. See Figure 2 and Figure 3.

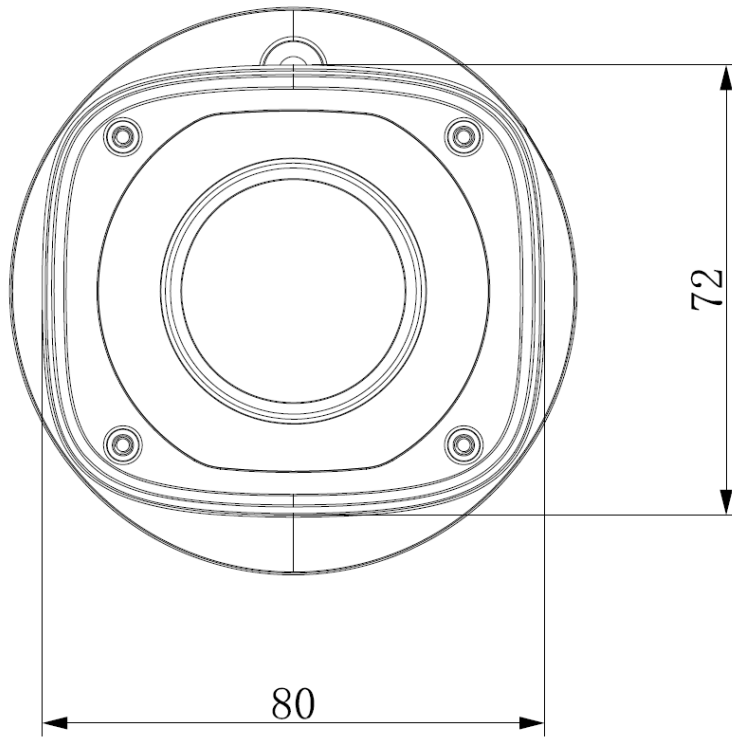


Figure 2

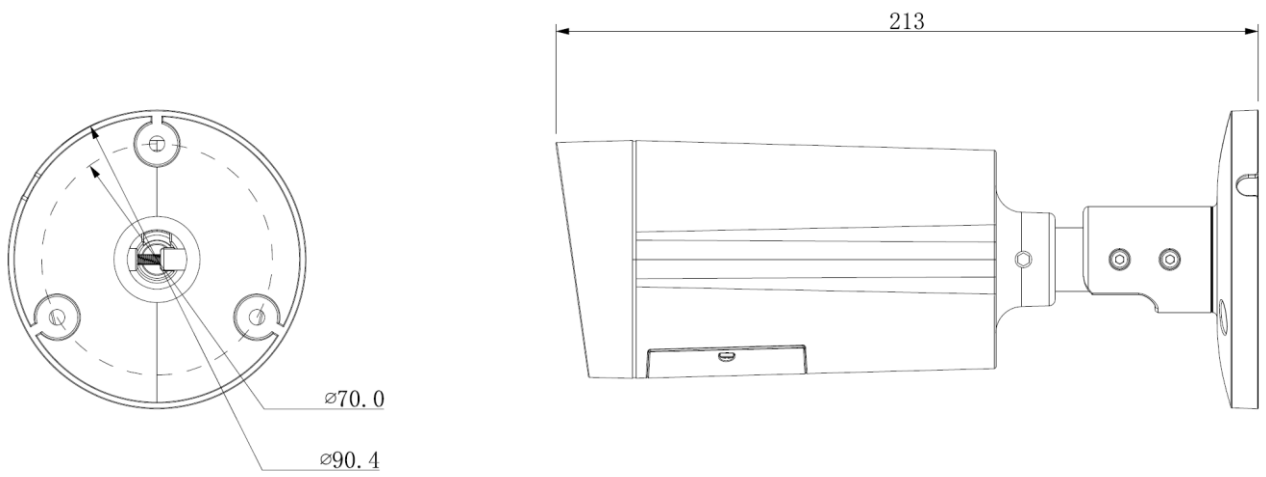


Figure 3

## Installation Steps

**Note:**

Before the installation, please make sure the installation environments can at least support 3x weight of the camera.

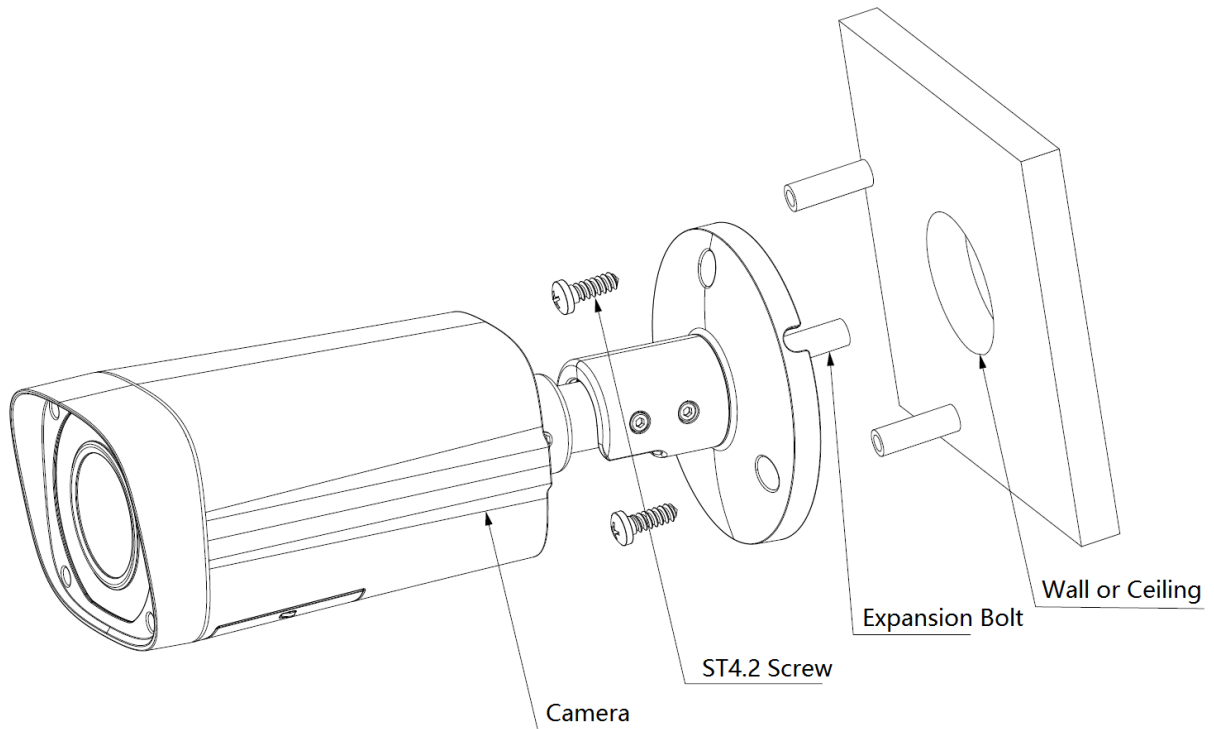


Figure 4

Follow the steps listed below to install the device. Please refer to Figure 4 for reference.

**Step 1**

Open the accessories bag, take out installation position map and stick it to designated surface where you will install the camera (wall or ceiling).

**Step 2**

Make a hole according to position of hole on installation position map.

**Step 3**

Open accessories bag, take out expansion bolts and insert them into the holes just created.

**Step 4**

Open the accessories bag and take out the self-tapping screws. Align the expansion bolts to the installation holes on the device pedestal and fix the device on the installation surface (wall or ceiling) with self-tapping screws.



**Step 5**

Connect external wiring to the camera.

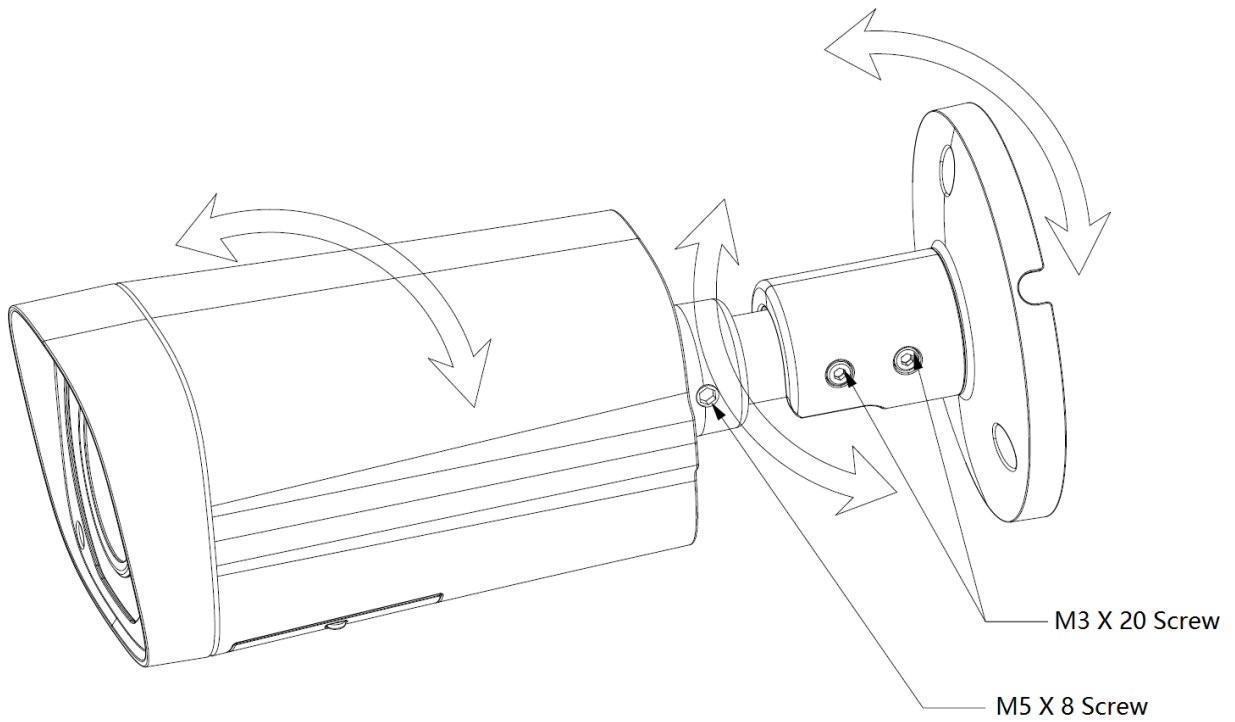


Figure 5

**Step 6**

Using the hex screwdriver loosen the adjusting screws shown in Figure 5.

**Step 7**

Adjust the camera in all possible directions to the desired position.

**Step 8**

Using the hex screwdriver tighten the adjusting screws.

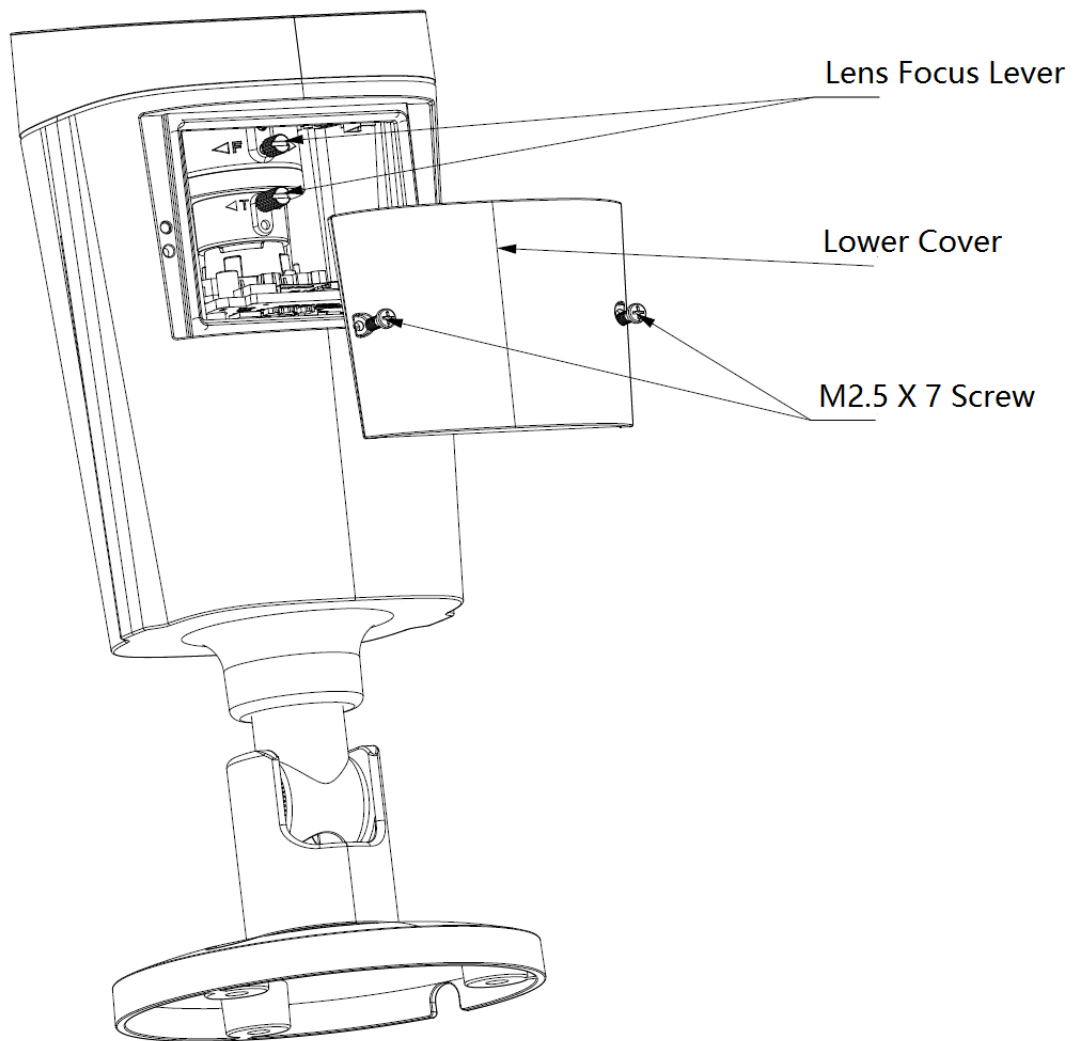


Figure 6

**Step 9**

Unscrew the pan head screw (shown in Figure 6) with a cross head screwdriver and take off the lower cover.

**Step 10**

Adjust the lens focus lever and set its monitoring direction more accurately by external focus.

**Step 11**

Reattach the lower cover and use a cross head screwdriver to tighten the pan head screws.

# Quick Configuration Tool

---

## Overview

The Quick Configuration Tool can search current IP address, modify IP address. At the same time, you can use it to upgrade the camera.

Note:

The tool only applies to the IP addresses in the same network segment.

---

## Operation

Double click the “ConfigTools.exe” icon, you can see an interface. In the device list interface, you can view device IP address, port number, subnet mask, default gateway, MAC address and etc.

Select one IP address and then right click mouse, you can see an interface is shown as in Figure 7 Search interface

Select the “Open Device Web” item; you can go to the corresponding web login interface.

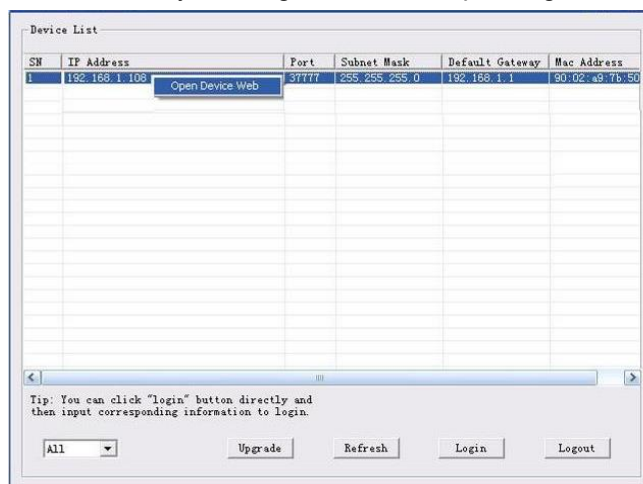


Figure 7 Search interface

If you want to modify the device IP address without logging in the device web interface, you can go to the configuration tool main interface to set.

In the configuration tool search interface, please select a device IP address and then double click it to open the login interface. Or you can select an IP address and then click the Login button to go to the login interface. See Figure 8 Login prompt.

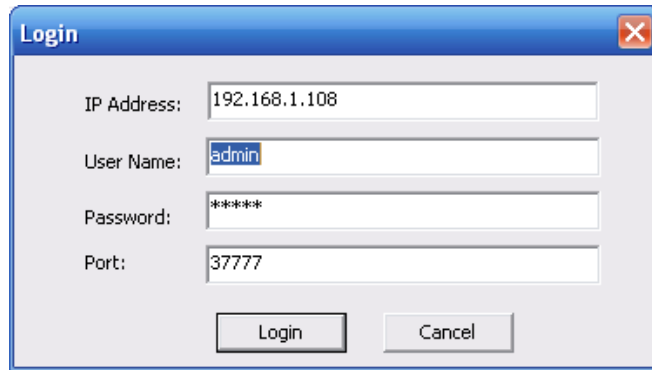
In Figure 8 Login prompt, you can view device IP address, user name, password and port. Please modify the corresponding information to login.

Note:

The port information must be identical with the port value you set in TCP port in Web Network interface. Otherwise, you cannot login the device.

---

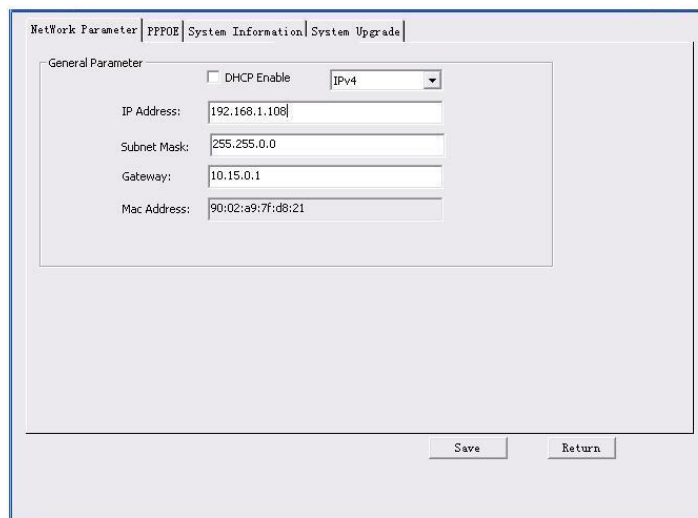
If you are using device background upgrade port 3800 to login, other setups are all invalid.



A login dialog box titled "Login" with a close button in the top right corner. It contains four input fields: "IP Address" with the value "192.168.1.108", "User Name" with the value "admin", "Password" with the value "\*\*\*\*\*", and "Port" with the value "37777". At the bottom, there are two buttons: "Login" and "Cancel".

Figure 8 Login prompt

After you logged in, the configuration tool main interface is shown as below. See Figure 9 Main interface.



The main configuration interface shows a tabbed menu at the top with "Network Parameter", "PPPOE", "System Information", and "System Upgrade". The "Network Parameter" tab is active, displaying a "General Parameter" section. This section includes a "DHCP Enable" checkbox (unchecked) and a "IPv4" dropdown menu. Below these are five input fields: "IP Address" (192.168.1.108), "Subnet Mask" (255.255.0.0), "Gateway" (10.15.0.1), and "Mac Address" (90:02:a9:7f:d8:21). At the bottom right, there are "Save" and "Return" buttons.

Figure 9 Main interface

# Web Operation

---

These Illustra Essential camera products support the Web access and management via PC.

Web includes several modules: Monitor channel preview, system configuration, alarm and etc.

## Network Connection

Please follow the steps listed below for network connection.

- Make sure the network camera has connected to the network properly.
- DHCP is enabled by default.
- Please set the IP address, subnet mask and gateway of the PC and the network camera respectively. Network camera default IP address is 192.168.1.168. Subnet mask is 255.255.255.0. Gateway is 0.0.0.0
- Use order ping `***.***.***.***`(\* network camera address) to check connection is OK or not.

## Login and Main Interface

Open IE and input the network camera address in the address bar. See Figure 10 IP address.

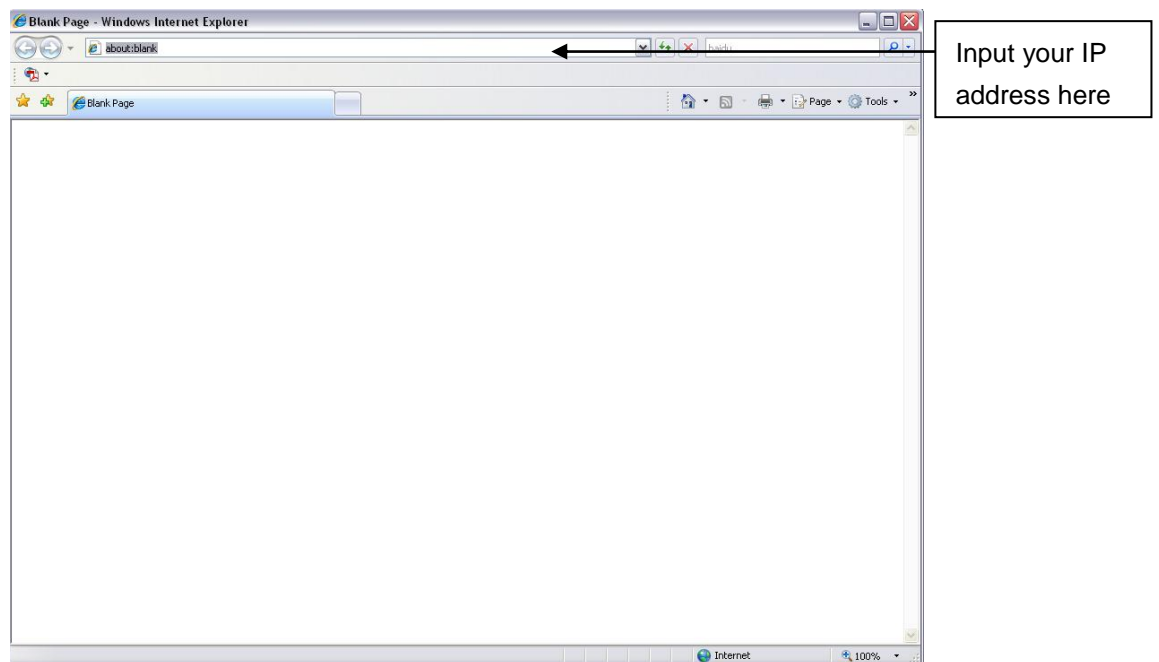


Figure 10 IP address

The login interface is shown in Figure 11 Web login.

Input your user name and password.

Default factory name is **admin** and password is **admin**.

---

**Note:**

For security reasons, please modify your password after you first login.

---



Figure 11 Web login

After you successfully logged in, please install WEB plug-in unit. Please refer to the Web Operation Manual included in the resource CD for detailed operation instruction.

See Figure 12 Web monitoring window.

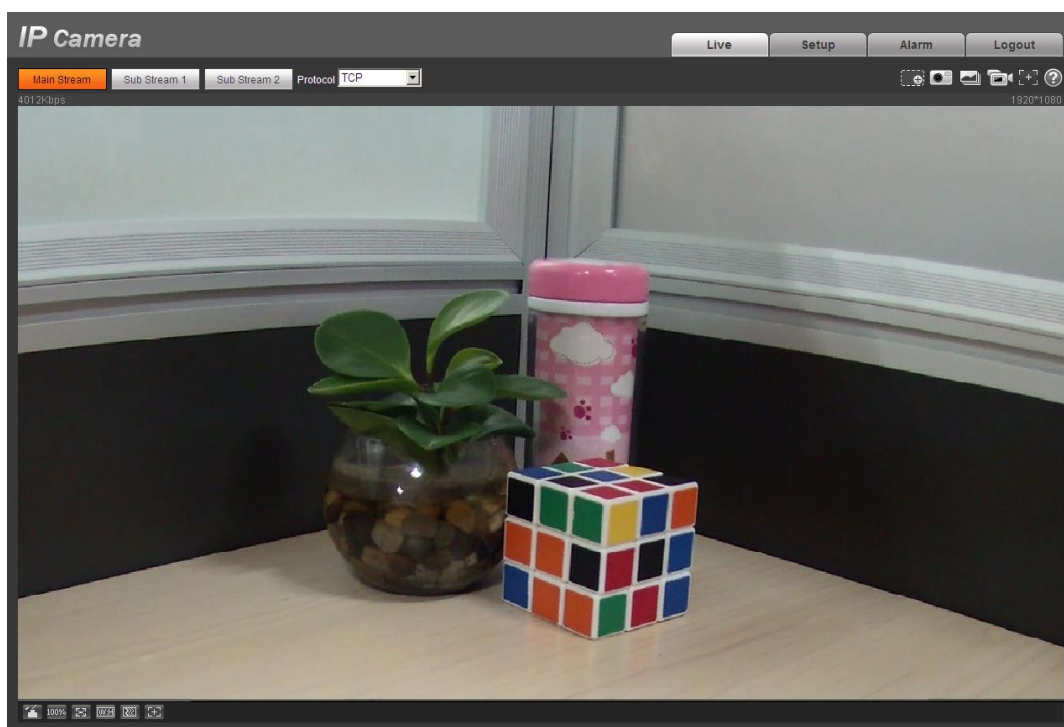


Figure 12 Web monitoring window

# Appendix Toxic or Hazardous Materials or Elements

Component Name	Toxic or Hazardous Materials or Elements					
	Pb	Hg	Cd	Cr VI	PBB	PBDE
Circuit Board Component	○	○	○	○	○	○
Device Case	○	○	○	○	○	○
Wire and Cable	○	○	○	○	○	○
Packing Components	○	○	○	○	○	○
Accessories	○	○	○	○	○	○

O: Indicates that the concentration of the hazardous substance in all homogeneous materials in the parts is below the relevant threshold of the SJ/T11363-2006 standard.

X: Indicates that the concentration of the hazardous substance of at least one of all homogeneous materials in the parts is above the relevant threshold of the SJ/T11363-2006 standard. During the environmental-friendly use period (EFUP) period, the toxic or hazardous substance or elements contained in products will not leak or mutate so that the use of these (substances or elements) will not result in any severe environmental pollution, any bodily injury or damage to any assets. The consumer is not authorized to process such kind of substances or elements, please return to the corresponding local authorities to process according to your local government statutes.

## Note

- 
- This user's manual is for reference only. Slight differences may be found in user interface.
  - All the designs and software here are subject to change without prior written notice.
  - All trademarks and registered trademarks mentioned are the properties of their respective owners.
-